

INSTRUCTION MANUAL  
AX90050-1001

# YETI™

## SCORE® TROPHY TRUCK®

READY-TO-RUN • BRUSHLESS

1/10th SCALE ELECTRIC 4WD



 **axial**®

[www.axialracing.com](http://www.axialracing.com)

# YETI

## CAUTIONS



To prevent serious personal injury and/or property damage, operate all remotely controlled models in a responsible manner as outlined herein.

### CHOOSE THE RIGHT PLACE TO OPERATE YOUR R/C MODEL.

- Do not run on public streets or highways. This could cause serious accidents, personal injuries, and/or property damage.
- Never run R/C models near people or animals.
- To avoid injury, do not run in confined spaces.
- Do not run where loud noises can disturb others, such as hospitals and residential areas.
- Never run indoors. There is a high risk of fire and/or damage.

### INSPECT YOUR MODEL BEFORE OPERATION.

- Make sure that all screws and nuts are properly tightened. It is also a good idea to use removable thread lock wherever metal screws go into metal, especially for engine mounts.
- Always use fresh batteries for your transmitter and for your receiver to avoid losing control of the model.
- Always test the brakes and throttle before starting your engine to avoid losing control of the model.

### AFTER OPERATION OF YOUR R/C MODEL

- Turn off receiver first, then turn off transmitter, this will prevent runaways.
- Be careful when handling batteries, they will be hot after running.
- Replace any batteries that have been dented or have frayed wires, short circuits can cause fire.
- Be sure to keep your R/C model clean and free of excess dirt and grease, this will increase the life.
- Disconnect the battery from the ESC whenever the vehicle is not in use.

## VORSICHT!



Um Verletzungen an Personen und/oder Sachschäden zu vermeiden, sollten alle ferngesteuerten Modelle sorgfältig und verantwortungsbewusst bedient werden, wie nachfolgend beschrieben.

### Wählen Sie den richtigen Platz zum Fahren

- Fahren Sie niemals auf öffentlichen Straßen. Dies könnte Verkehrsunfälle, Personen schäden oder Sachschäden verursachen.
- Fahren Sie niemals in der Nähe von anderen Personen oder Tieren.
- Fahren Sie niemals auf belebten Straßen.
- Fahren Sie nie in der Nähe von Wohnhäusern oder Krankenhäusern. Der Lärm könnte andere Personen stören.
- Fahren Sie niemals in Innenräumen. Dort könnte etwas beschädigt werden.

### Überprüfen Sie Ihr Modell, bevor Sie es in Betrieb nehmen.

- Gehen Sie sicher, dass alle Schrauben und Muttern festgezogen sind. Verwenden Sie überall dort Schrauben-Sicherungslack, wo Metallschrauben in ein Metallgewinde greifen, besonders bei den Motorhaltern.
- Um Störungen zu vermeiden, benutzen Sie immer voll geladene Akkus in Ihrem Sender und Empfänger.
- Bevor Sie den Motor starten, sollten Sie immer die Funktion der Bremse und des Gashebels testen.

### Nach Betrieb des RC Modells:

- Zuerst den Empfänger abdrehen, dann den Sender abdrehen um unkontrolliertes Durchgehen zu vermeiden.
- Seien Sie vorsichtig mit gebrauchten Akkus, sie können nach dem Gebrauch heiß sein.
- Ersetzen Sie Akkus/Batterien die beschädigt sind oder schadhafte Kabel aufweisen, sie können Kurzschlüsse oder Feuer verursachen.
- Halten Sie Ihr Fahrzeug sauber und entfernen Sie Schmutz und Schmierfett, damit erhöhen Sie die Lebensdauer Ihres Modells.

## PRECAUTIONS



Afin d'éviter toutes blessures corporelles et/ou dommages environnants, veuillez procéder en toute responsabilité comme indiqué ci-dessous

### Choisir le lieu adéquat pour faire rouler votre modèle.

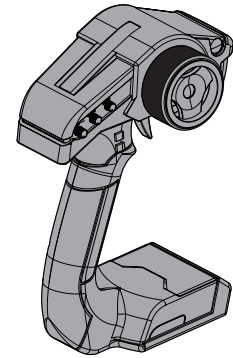
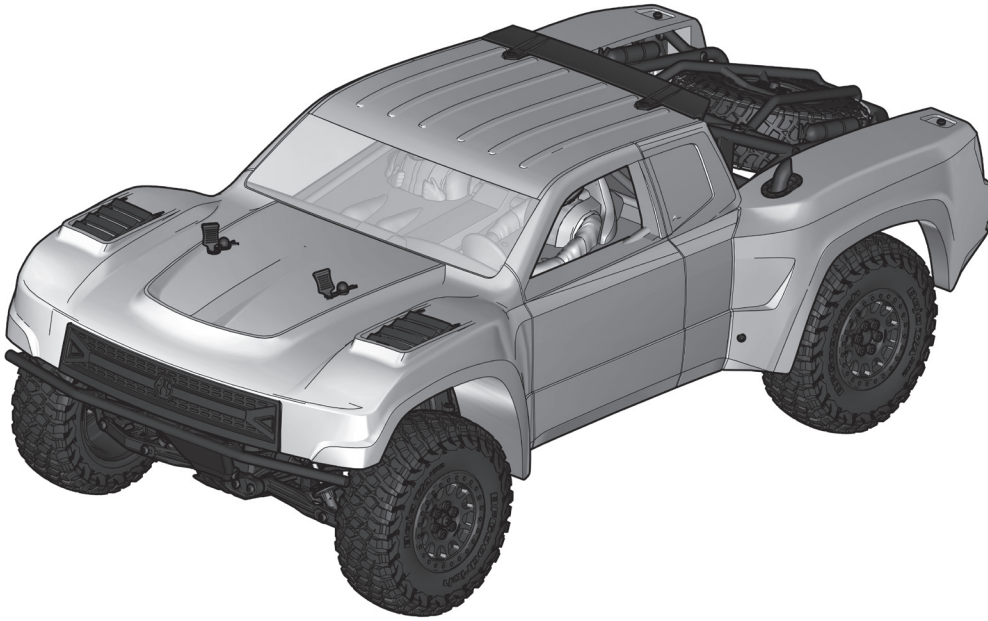
- Ne jamais rouler dans les rues ou sur les routes ouvertes au public. Ceci peut provoquer de graves accidents.
- Ne jamais rouler près de personnes ou d'animaux.
- Pour éviter les blessures, ne pas rouler dans des espaces confinés.
- Ne jamais rouler où le bruit peut déranger, comme aux abords des hôpitaux ou des quartiers résidentiels.
- Ne jamais rouler à l'intérieur: les gaz d'échappement sont nocifs.

### Controler votre modèle avant chaque utilisation.

- Vérifier que les vis et les écrous sont bien serrés. Il est très fortement conseillé d'utiliser du frein filet pour bloquer les vis qui sont en contact avec du métal et tout particulièrement les vis du moteur.
- Toujours utiliser des batteries bien chargées pour l'émission et la réception.
- Toujours vérifier les freins et la commande des gaz avant de démarrer.

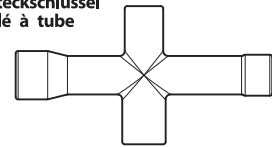
### Après l'Opération De Votre Modèle de R/C

- Le virage du récepteur premier, alors virage de l'émetteur, ceci empêchera des fugitifs.
- Faire attention en contrôlant des piles, ils auront chaud après avoir couru.
- Remplacer n'importe quelles piles qui ont été cabossées ou a éraillé des fils, les court-circuits peuvent causer le feu.
- Etre sûr de garder votre modèle de R/C nettoie et libère de terre et la graisse supplémentaires, ceci augmentera la vie.

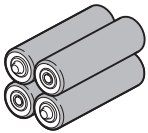


2.4GHz  
Transmitter  
Sender  
Emetteur

Cross wrench  
Steckschlüssel  
Clé à tube



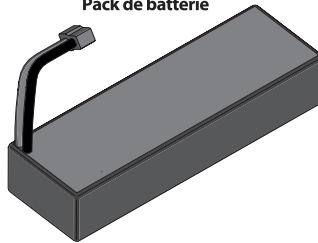
Equipment needed / Benötigtes Zubehör / Equipement nécessaire



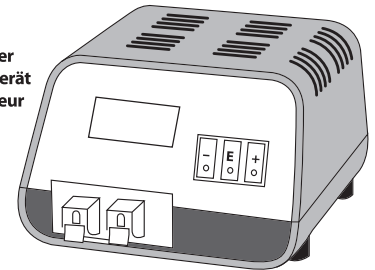
x4

4 AA Alkaline Dry Batteries.  
4 St. AA Trockenbatterien.  
4 piles type R6 pour votre  
radio commande.

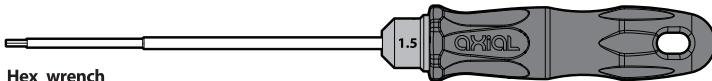
Battery Li-Po or NiMH  
Akku-Pack  
Pack de batterie



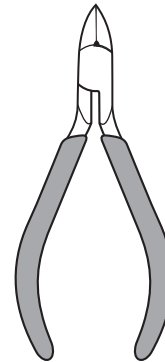
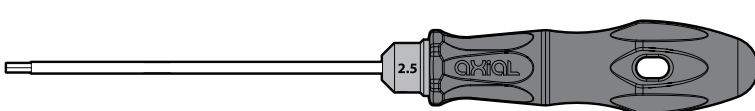
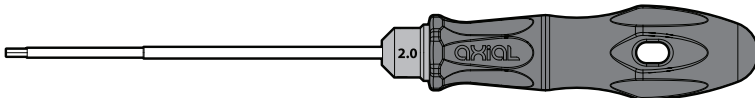
Charger  
Ladegerät  
Chargeur



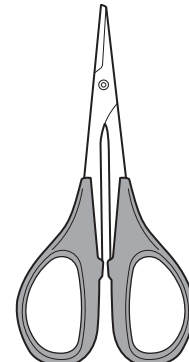
Tools Recommended / Benötigte Werkzeuge / Outillage



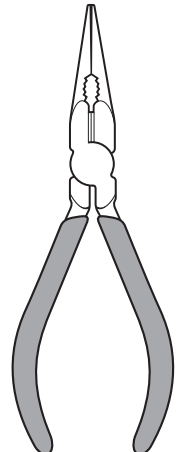
Hex wrench  
Inbusschlüssel  
Clé Allen



Side cutter  
Seitenschneider  
Pincers coupantes

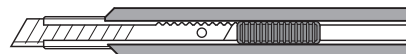


Curved scissors  
Schere  
Ciseaux

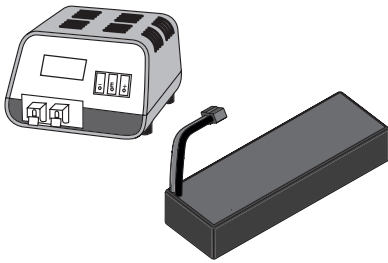


Long nose pliers  
Flachzange  
Pincers à becs longs

Modeling knife  
Modelliermesser  
Couteau de modéliste



Charge your battery / Laden des Fahrakkus / Chargement de la batterie



Follow the manufacturer's directions for the charger you purchased to properly charge your batteries.

Folgen Sie den Herstelleranweisungen für den Auflader Ihres gekauften ordentlich, Ihre Batterien zu laden.

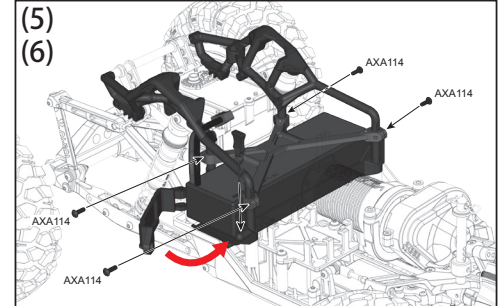
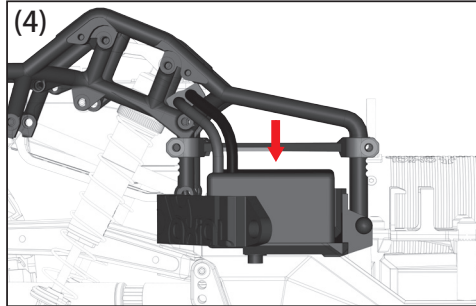
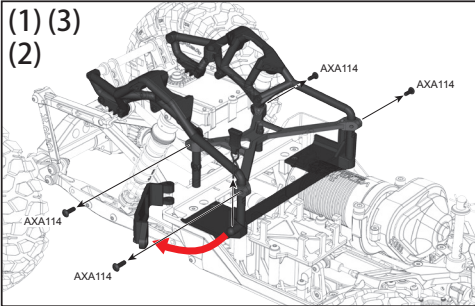
Suivre les directions de fabricants pour le chargeur votre a acheté convenablement pour charger vos piles.

Do not use a Nickel Cadmium or Nickel Metal Hydride battery charger to charge LiPo batteries. Damage to the batteries and charger will likely occur resulting in a fire.

Verwenden Sie keine Nickel-Cadmium-oder Nickel-Metall-Hydrid-Akku Ladegerät LiPo-Akkus aufladen. Schäden an den Batterien und Ladegerät wird wahrscheinlich auftreten, was zu einem Brand.

Ne pas utiliser un chargeur de batterie au nickel-cadmium ou nickel-métal-hydrure pour recharger les batteries LiPo. Les dommages aux batteries et le chargeur se produira probablement de provoquer un incendie.

Battery Tray Adjustment



1.Remove clip to open battery access door

2.Slide battery into try to check clamp height

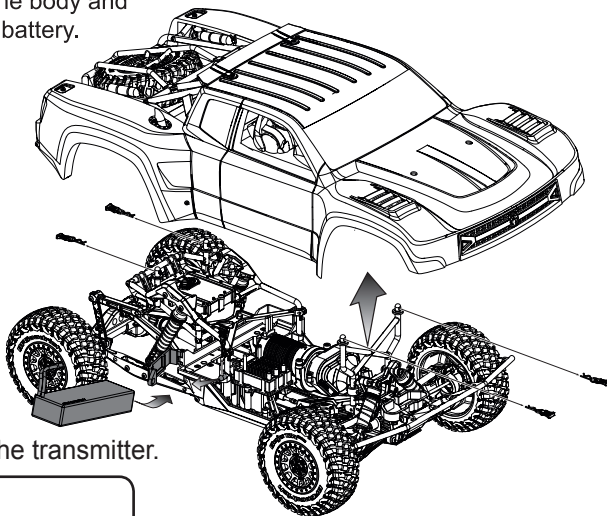
3.Remove x4 M3x8mm AXA114 screws

4.Adjust battery clamp to fit snug against battery.

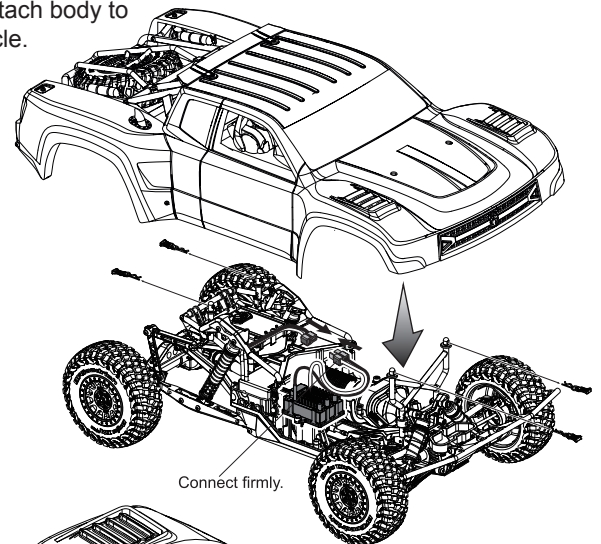
5. Reinstall x4 M3x8mm screws

6. Close battery access door and insert clip

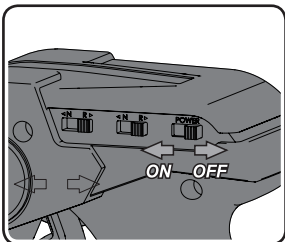
1 Remove the body and install the battery.



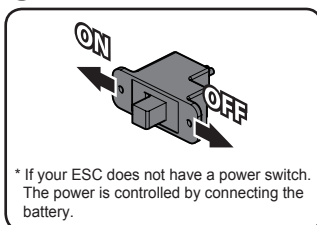
2 Reattach body to vehicle.



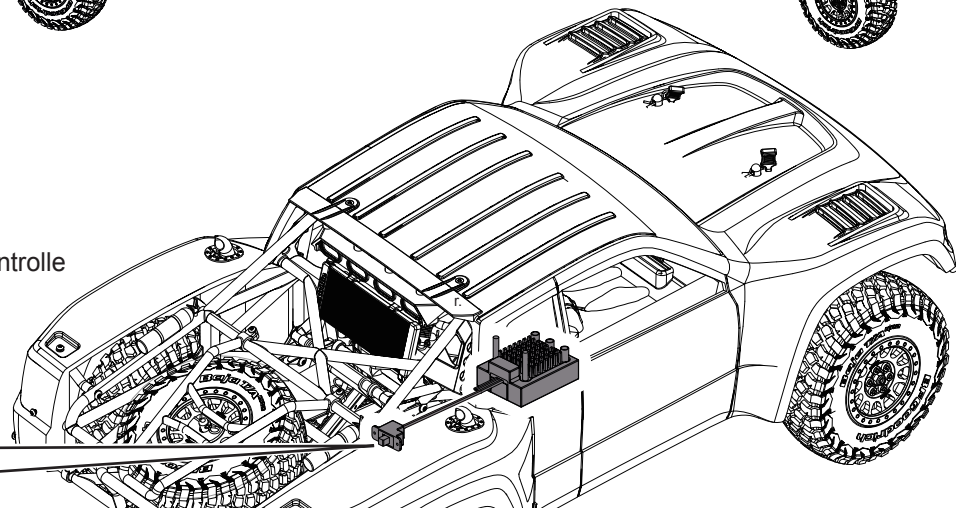
3 Turn on the transmitter.



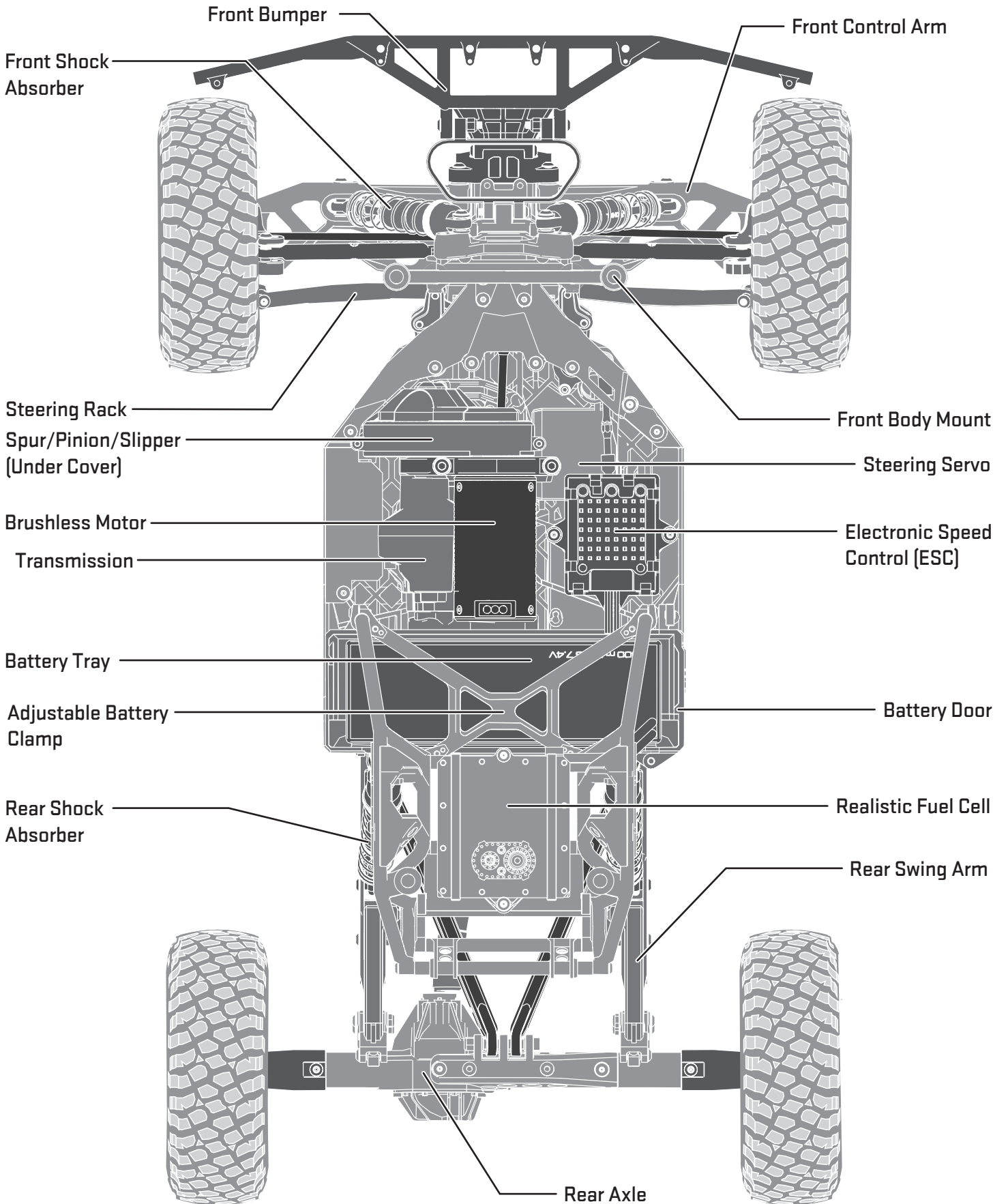
4 Turn on the electronic speed controller



\* If your ESC does not have a power switch. The power is controlled by connecting the battery.

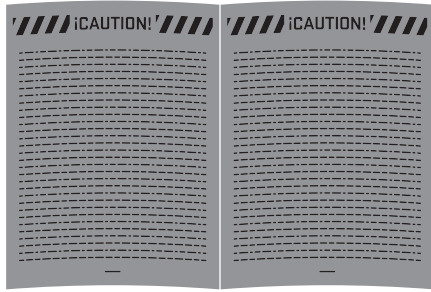


# Top View Parts

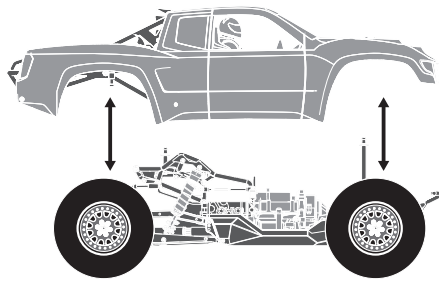


# Getting-Started Checklist

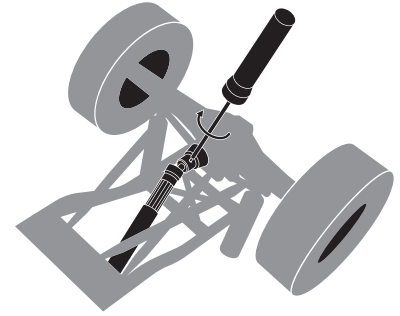
The following checklist is a guide for getting you vehicle running for the first time.



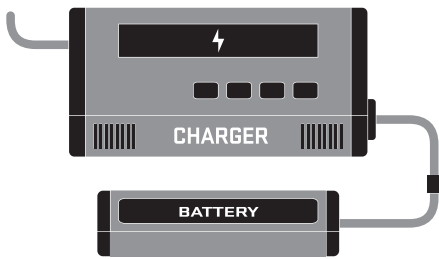
Read 'Cautions' in Manual. (Page 2)



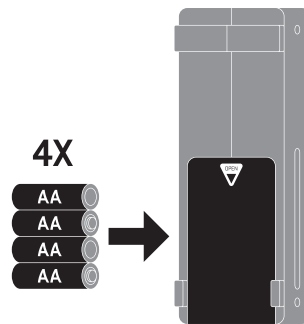
Familiarize yourself with vehicle and its components.



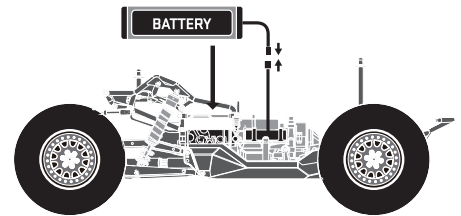
Even though the vehicle is new check driveshaft setscrews and other screws to make sure they are tight from the factory.



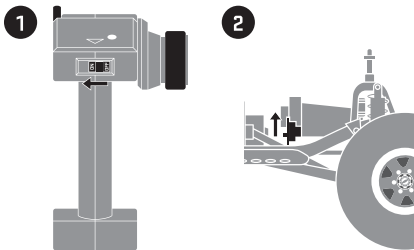
Charge battery pack. (Page 4)



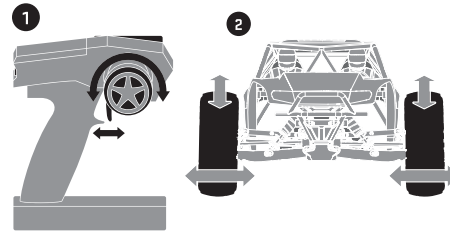
Install 4X AA batteries into Transmitter. (Page 7)



Install battery pack in vehicle. (Page 4)



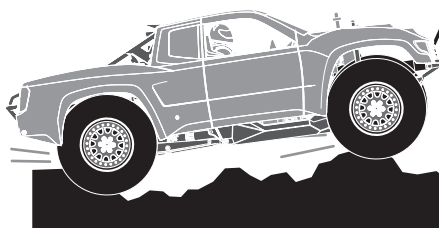
Turn on transmitter FIRST then ESC. (Page 4)



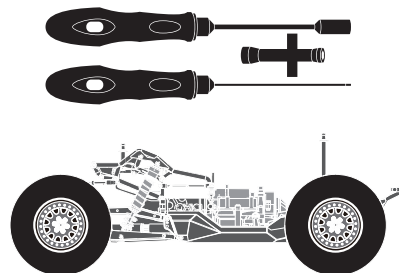
Check to make sure steering and throttle operation work correctly. (Page 7)



Range check radio system. (Next Page)



Drive vehicle, challenge yourself and have fun!



Maintain vehicle. (Next Page)

## Range-Checking Your Radio System

The radio system should be checked before operating the vehicle to ensure it's operating properly and has adequate range.



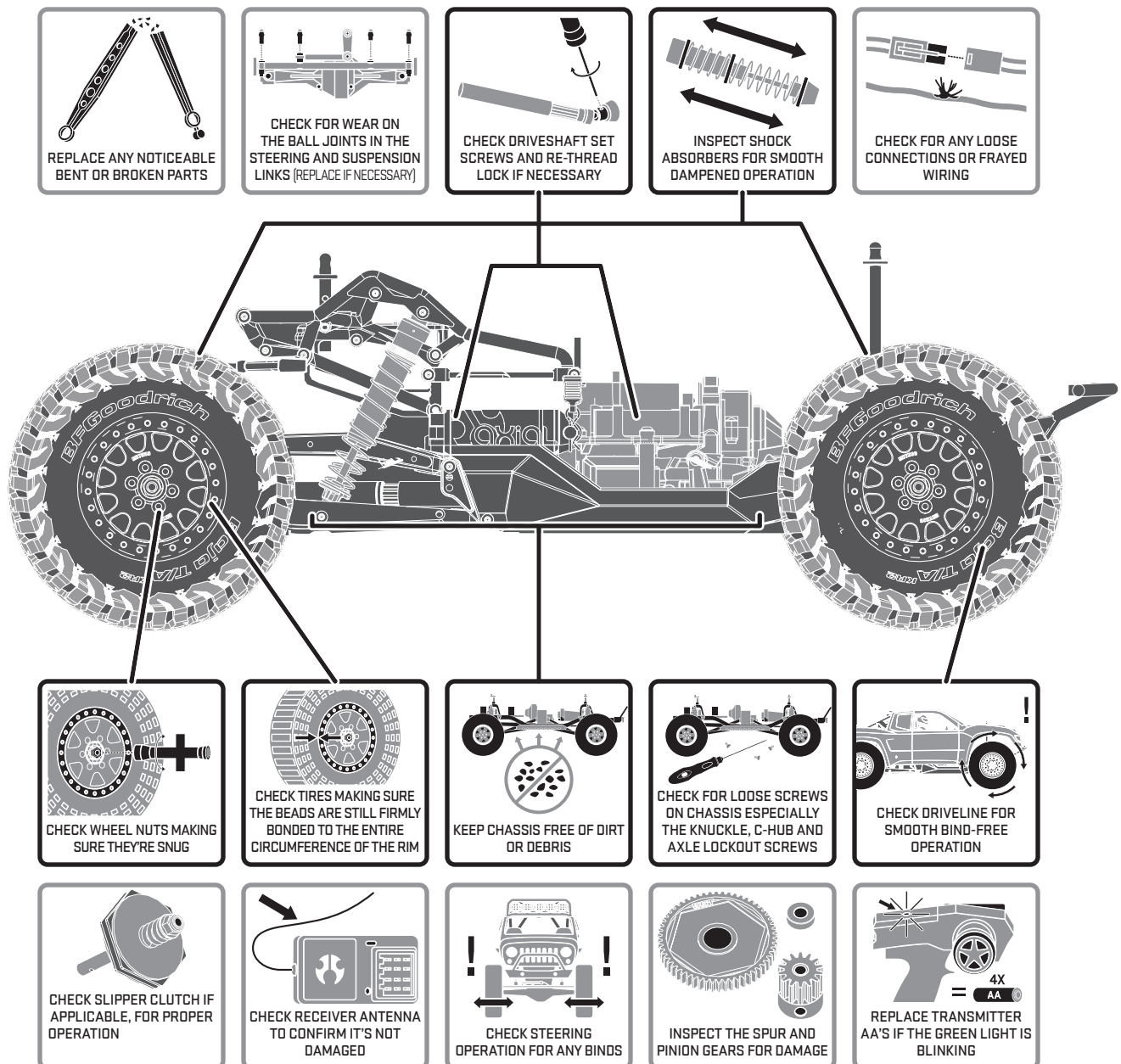
1. Turn on the transmitter first and then the vehicle.
2. Have a friend hold the vehicle while keeping hands and loose clothing away from moving parts.
3. Walk away until you are at the farthest distance you plan to operate the vehicle.
4. Steer the vehicle back and forth and throttle both forward and reverse making sure there is no erratic behavior.
5. If any erratic behavior is exhibited do not operate the vehicle, call customer service for further assistance.



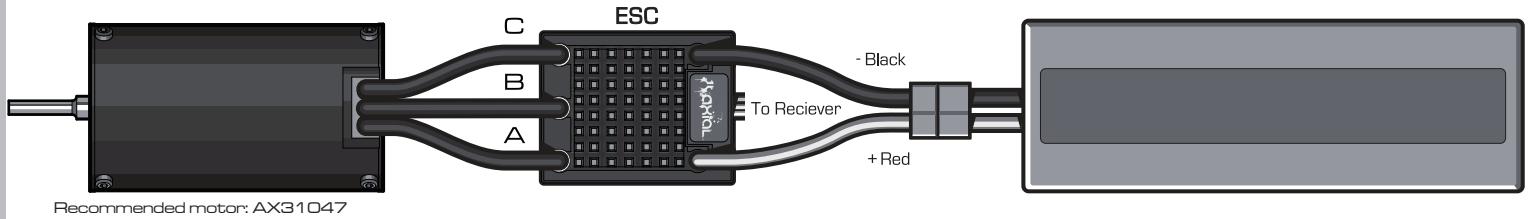
RANGE-CHECKING FOR DISTANCE

## Maintaining Your Vehicle

Just like a full size car or truck your RC vehicle must undergo periodic maintenance in order to ensure peak running performance. Preventative maintenance will also help avoid needless breakages which could result in costly repairs. Below are some suggestions to properly maintain your vehicle.



## AE-3 Vanguard Forward/Reverse Brushless ESC Instruction



### Brushless ESC and Motor Setup:


- Mount the ESC in an area that is well ventilated and isolated from vibration and shock.
- Connect the ESC wires to the motor. Generally A to A, B to B, and C to C.
- Plug the receiver wire into the throttle channel on the receiver.
- Before plugging the battery into the ESC, make sure your transmitter is on and the throttle trim is set to zero.
- Plug in the battery to the ESC with the ESC switch in the OFF position.
- Apply full throttle on the transmitter.
- Turn on the ESC switch while applying full throttle.
- The ESC will emit a series of beeps with the red LED.
- Continue applying full throttle until the ESC blinks green and emits a series of beeps.
- Once the ESC blinks red, apply full brake (reverse) on the transmitter.
- The ESC will emit a series of beeps while blinking red to finalize the brake/reverse endpoint.
- Return the throttle to the neutral position and the ESC will emit a series of beeps to finalize the neutral point.
- The ESC will emit a final series of beeps confirming the ESC is ready to operate.
- Apply throttle to make sure the motor is going the direction you wanted.
- To reverse the direction of the motor, switch two of the wires going to the motor.

### Notes:

- If the ESC setup does not initialize when holding the full throttle, try switching the throttle reversing switch on the transmitter.
- LiPo Cut-Off is set to "ON" from the factory
- Use the CastleLink (Optional, not included) to access the advanced settings available in the ESC.
- Visit <http://www.castlecreations.com/> for more information on the CastleLink USB Programming Kit.

### Specifications:

<b>Input voltage:</b>	3S Lipo/8 NiCELL
<b>Size:</b>	1.95inx1.51in
<b>Weight:</b>	62.3grams
<b>On-Resistance FET:</b>	.00055 Ohms (per phase)
<b>BEC Voltage/A:</b>	5.0V 2.0A Peak
<b>PWM Frequency:</b>	12 KHZ

**CAUTION**  **CONNECT THE BATTERY PACK JUST BEFORE DRIVING AND DISCONNECT IT IMMEDIATELY AFTER. ALWAYS MAKE SURE YOU ARE CONNECTING THE ESC TO A PROPER POWER SOURCE THAT HAS THE CORRECT VOLTAGE & POLARITY. INCORRECT VOLTAGES OR REVERSED POLARITY WILL DAMAGE THE ESC. ONCE THE BATTERY PACK IS CONNECTED, HANDLE THE MODEL WITH EXTREME CARE, MAKE SURE YOU ARE CLEAR OF ALL ROTATING PARTS.**





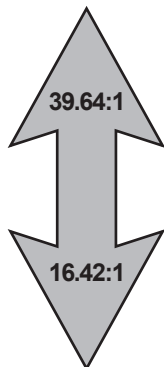
## Gear Ratio / Getriebeübersetzung

Use this equation to calculate the final drive ratio.  
**Final Drive Gear Ratio = (Spur/Pinion)x5.67**

Mit dieser Gleichung können Sie die Gesamtübersetzung berechnen.

**Gesamtübersetzung = (Spur/Pinion)x5.67**

**Slower - More Torque**  
**Langsamer - Mehr Kraft**



**Faster - Less Torque**  
**Schneller - Weniger Kraft**

**32 Pitch 38T/13T (Stock Gearing AX30392 or HD AX30395)**

Pinion	Spur Gear			
	56	60	64	68
11	28.85	30.91	32.97	35.03
12	26.44	28.33	30.22	32.11
13	24.41	26.15	27.90	29.64
14	22.67	24.88	25.90	27.52
15	21.15	22.67	24.18	25.69
16	19.83	21.25	22.67	24.08
17	18.67	20.00	21.33	22.67

**32 Pitch 36T/14T (Overdrive HD Gearing AX30401)**

Pinion	Spur Gear			
	56	60	64	68
11	25.38	27.19	29.00	30.81
12	23.26	24.92	26.58	28.25
13	21.47	23.01	24.54	26.07
14	19.94	21.36	21.94	22.60
15	19.61	19.94	21.27	22.60
16	17.45	18.69	19.94	21.18
17	16.42	17.59	18.77	19.94

**32 Pitch 43T/13T (Underdrive HD Gearing AX30402)**

Pinion	Spur Gear			
	56	60	64	68
11	32.64	34.97	37.31	39.64
12	29.92	32.06	34.20	36.33
13	27.62	29.59	31.57	33.54
14	25.65	27.48	29.31	31.14
15	23.94	25.65	27.36	29.07
16	22.44	24.04	25.65	27.25
17	21.12	22.63	24.14	25.65

## Warranty Info

### AXIAL LIMITED WARRANTY

Your Axial product is warranted to be free of defects in materials and workmanship when new in the factory sealed box. This warranty does not cover damages due to normal wear and tear, users' failure to perform routine maintenance, error of assembly or installation, modifications or addition of aftermarket parts or option parts. This warranty lasts as long as the original purchaser owns the product and is not transferable (verified by dated itemized sales receipt accompanied with product). In the event of a defect under this warranty, Axial will, at our discretion, repair or replace the product, provided our inspection indicates that an original defect exists. Axial provides a 10-day warranty from the date of purchase on electronics (i.e. servo, esc, radio). Axial reserves the right to replace any product which is no longer available with a product of comparable value and function. If Axial determines the repair is not covered under warranty guidelines, there could be a charge applied for the repair and return shipping charges. Note: Purchasing products from unauthorized distributors may void warranty and prevent support and service.

### INTERNATIONAL CUSTOMER WARRANTY

Please return product to the dealer where the purchase was made. If your Axial product purchase was made through an on-line retailer, any warranty issues must be taken care of by that retailer. Axial assumes no responsibility for Axial products sold internationally by on-line retailers.

### REPAIR

For warranty repair, please contact Axial Customer Service at (877) 64-AXIAL (877-642-9425).

### HOURS AVAILABLE:

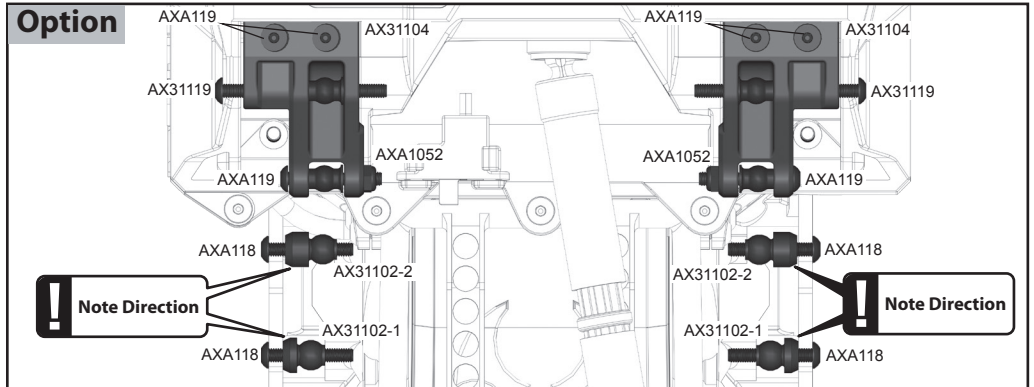
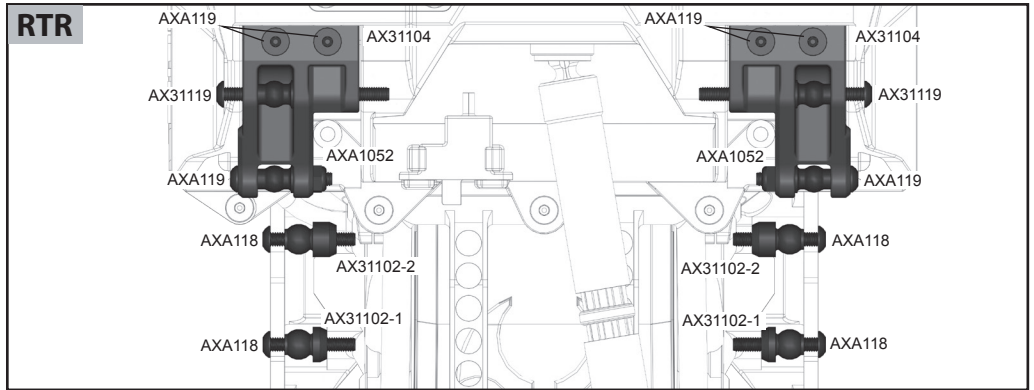
8:00 am - 5:00 pm Monday through Friday, Central Time.

## Rear Suspension Tuning Upper Link Adjustments

•AX31104 Mounts can be installed on either side of the AX31103 Chassis Tub

•Swapping the AX31104 mounts will provide a suspension more suited to low speed technical terrain. This also requires flipping the upper shock bushings. The RTR stock setup is more suited for high speed stability.

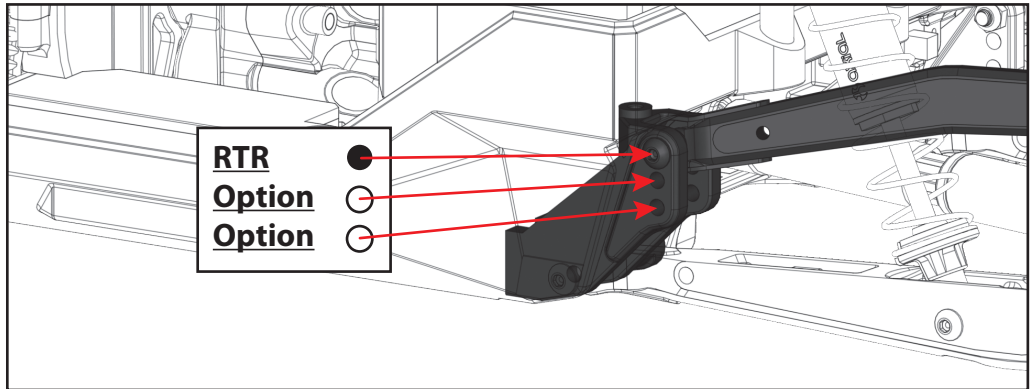
•Upper Shock bushings rotated to relocate shocks and line up with AX31109 Lower Links.



•Moving the upper links at the chassis will change the anti-squat characteristics of the Yeti under power.

•RTR Stock: Upper hole, more Anti-Squat for more rear traction under power.

•Optional lower holes, less Anti-Squat for less rear traction under power.

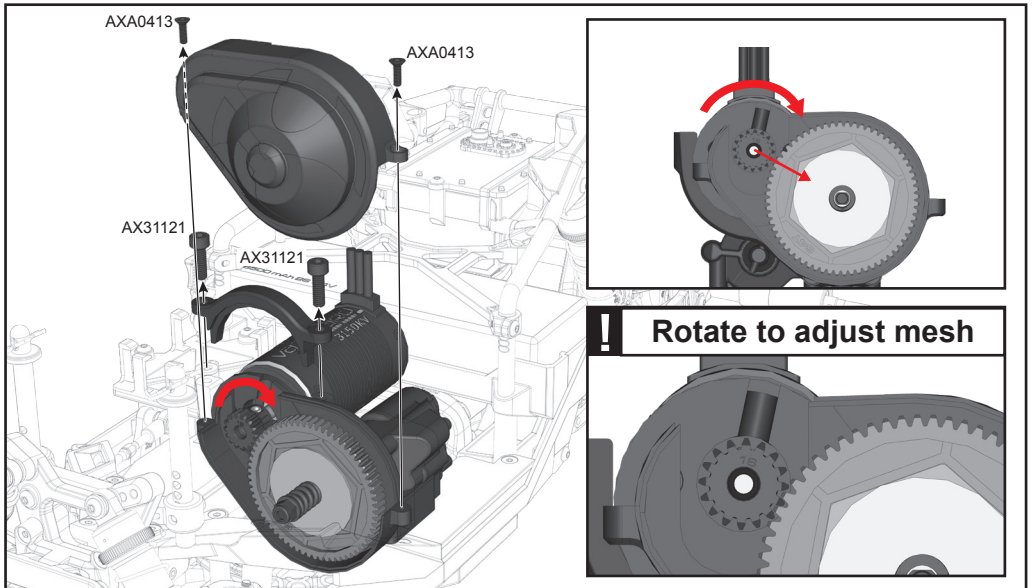


## Gear Mesh Adjustment

•Remove X2 M2.6x8mm AXA0413 Flatheads from AX31107 Spur Cover to gain access to spur and pinion

•Loosen X2 M4x12mm AX31121 Capheads from AX31106 Motor Mount Clamp

•Rotate the motor and motor mount assembly to fine tune gear mesh



**Problem**  
**Problem**  
**Problème**

**Cause**  
**Grund**  
**Cause**

**Remedy**  
**Lösung**  
**Remède**

**Does not move**  
**Das Auto fährt nicht**  
**Le véhicule ne bouge pas**

**Batteries are not installed properly in the transmitter.**  
**Die Batterien sitzen nicht korrekt im Sender.**  
**Les piles ne sont pas placées correctement dans l'émetteur.**

**Make sure batteries are properly installed.**  
**Legen Sie die Batterien korrekt ein.**  
**Positionnez correctement les piles dans l'émetteur.**

**Weak or no battery in model.**  
**Leerer oder kein Akku im Auto.**  
**Batterie faible ou non installée**

**Install charged battery.**  
**Einbauen eines geladenen Akkus.**  
**Mettez en place une batterie chargée**

**Damaged motor.**  
**Kaputter Motor.**  
**Moteur endommagé**

**Replace with new motor.**  
**Austausch durch einen neuen Motor.**  
**Remplacez par un nouveau moteur**

**Frayed or broken wiring.**  
**Beschädigte Verkabelung.**  
**Câble dénudé ou coupe**

**Splice and insulate wiring completely.**  
**Erneuern und isolieren Sie die kaputte Stelle.**  
**Faites une épissure et isolez complètement le câble.**

**ESC is shut down by heat protection circuit.**  
**Notabschaltung des Reglers wegen Überhitzung.**  
**Le système ESC est fermé par le circuit de protection thermique.**

**Stop driving immediately, do not drive the car until the Speed Controller cools down.**  
**Fahren Sie nicht weiter. Warten Sie bis der Fahrten regler abgekühlt ist.**  
**Arrêtez immédiatement de conduire, ne pilotez pas la voiture tant que le contrôleur de vitesse n'a pas refroidi.**

**No Control.**  
**Keine Kontrolle über das Auto**  
**Pas de contrôle**

**Improper antenna on transmitter or model.**  
**Zu kurze Antenne am Sender oder Auto.**  
**Antenne inadéquate sur l'émetteur ou le véhicule**

**Install charged or fresh batteries.**  
**Einbauen voller Batterien.**  
**Mettez des batteries rechargées ou neuves.**

**Weak or no batteries in transmitter or model.**  
**Leere oder keine Batterien im Sender oder Auto.**  
**Batterie faible ou absente dans l'émetteur ou le véhicule.**

**Fully extend antenna.**  
**Ziehen Sie die Antenne vollständig aus.**  
**Dépliez complètement l'antenne.**

**Neutral position or trim is incorrect.**  
**Neutralposition oder Trimmung sind verstellt.**  
**La position neutre est incorrecte ou le trim n'est pas réglé.**

**Adjust the steering trim.**  
**Stellen Sie die Lenkungstrimmung neu ein.**  
**Réglez le trim de direction.**

**Are the receiver and battery connections properly connected?**  
**Sind der Empfänger und die Batterieverbindungen ordentlich verbunden?**  
**Son conectadas apropiadamente las conexiones del receptor y la batería?**

**Check receiver and battery connections.**  
**Prüfen Sie Empfänger und Batterieverbindungen.**  
**Compruebe conexiones de batería y receptor.**

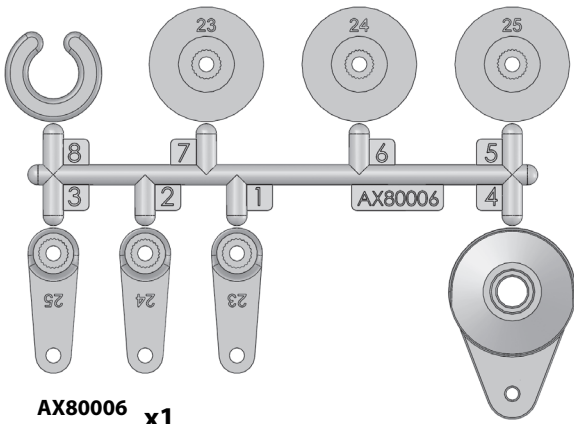
**Steering and Throttle Function Reversed.**  
**Lenkung und Gas funktionieren genau verkehrt herum.**  
**Direction et accélération inverses.**

**Servo reverse switch is in wrong position.**  
**Servorichtungs-Schalter ist in der falschen Position.**  
**L'interrupteur de marche arrière du servo est dans la mauvaise position**

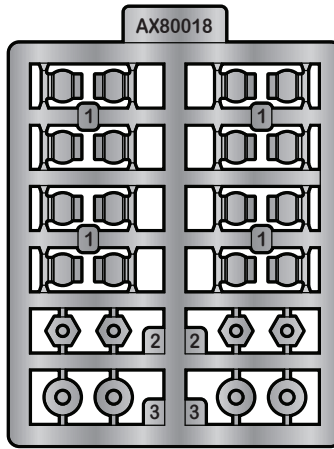
**Set to correct position.**  
**Satz, Position zu korrigieren**  
**Vérifiez la position correcte**

**Please check that the wires from ESC to motor are connected properly.**  
**Bitte überprüfen Sie, ob die Kabel vom Regler zum Motor richtig sitzen.**  
**Veuillez vérifier que les fils allant de l'ESC au moteur sont correctement raccordés.**

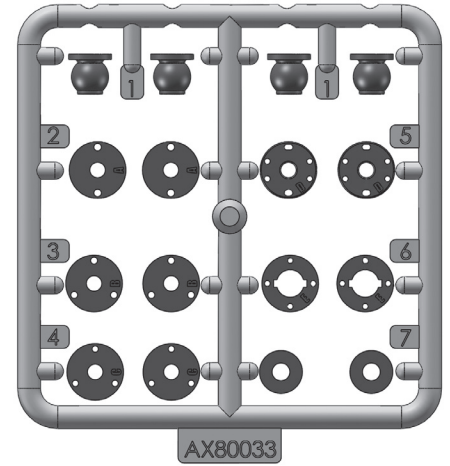
**Check to make sure motor and ESC are properly connected.**  
**Kontrolle sich zu vergewissern, dass Motor und ESC ordentlich verbunden sind.**  
**Le contrôle pour assurer que le moteur et ESC est convenablement connecté.**



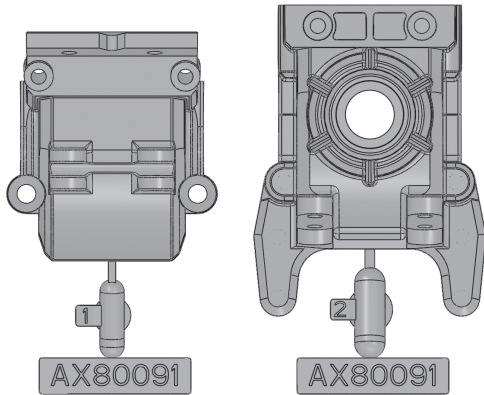
**AX80006**  
Servo Set **x1**



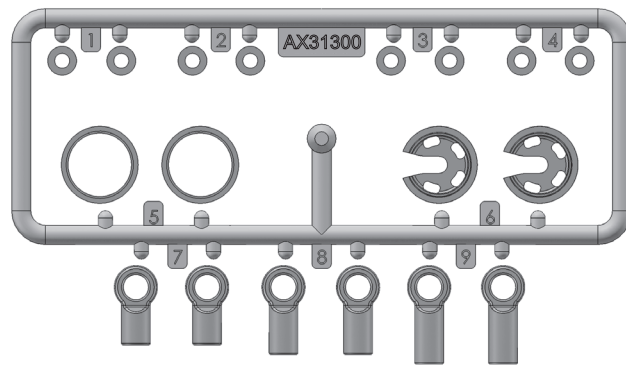
**AX80018**  
Hardware Parts Tree **x2**



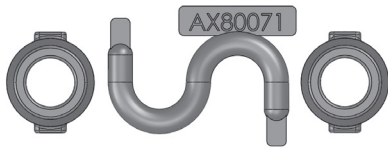
**AX80033**  
10m Shock Parts Tree 1 **x2**



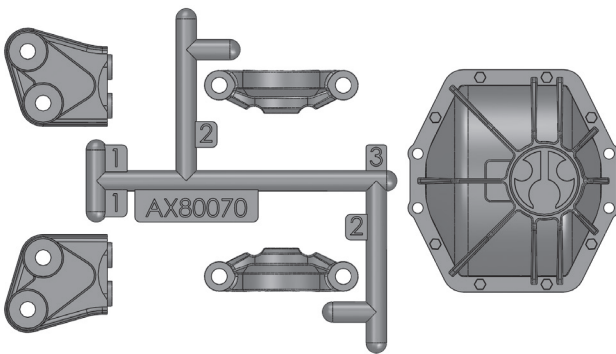
**AX80091**  
EXO Bulkhead **x1**



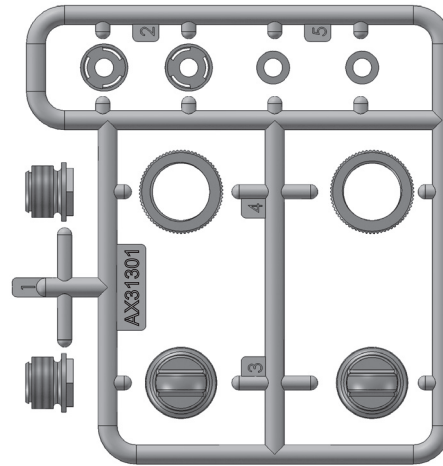
**AX31300**  
10mm Shock Parts Tree 2 (Blue) **x2**



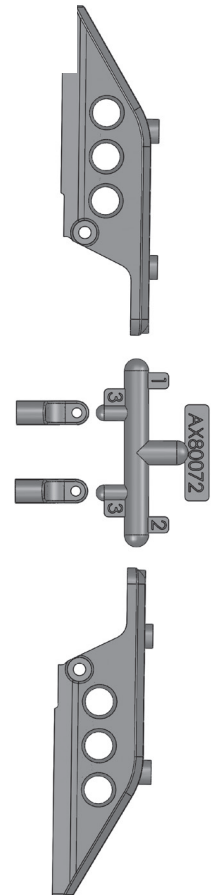
**AX80071**  
AR60 OCP Straight Axle Adapter **x1**



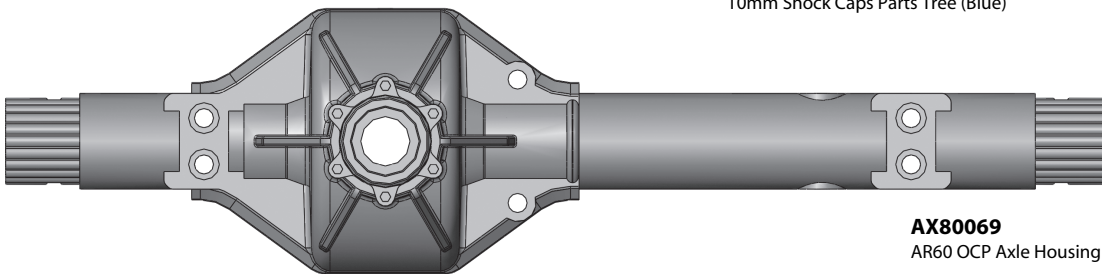
**AX80070**  
AR60 OCP Differential Cover **x1**



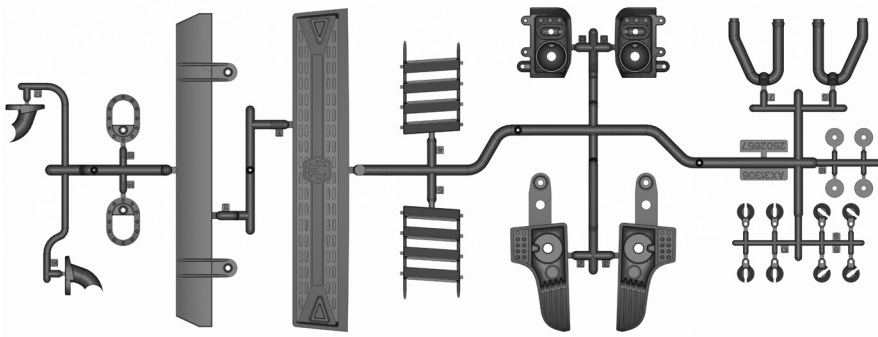
**AX31301**  
10mm Shock Caps Parts Tree (Blue) **x2**



**AX90072**  
AR60 OCP 4-Link Mount **x1**

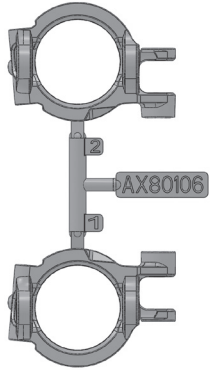


**AX80069**  
AR60 OCP Axle Housing **x1**



**AX31306**  
TT-380 SCORE® Trophy Truck® Grille and Cage

**x1**



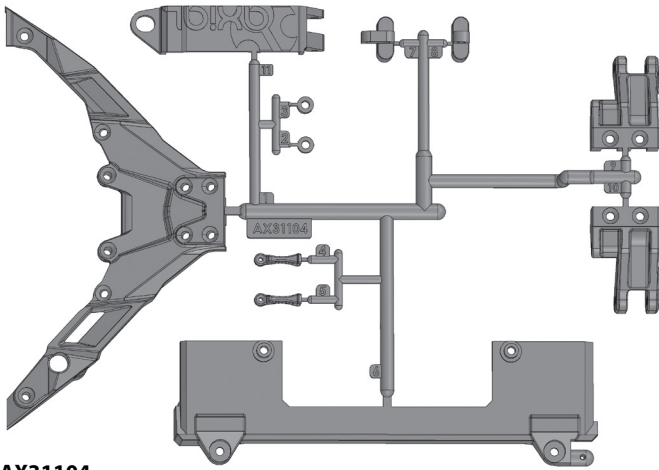
**AX80106**  
EXO Steering Knuckle Carrier Set

**x1**



**AX31110**  
Yeti™ Steering Knuckle Set

**x1**

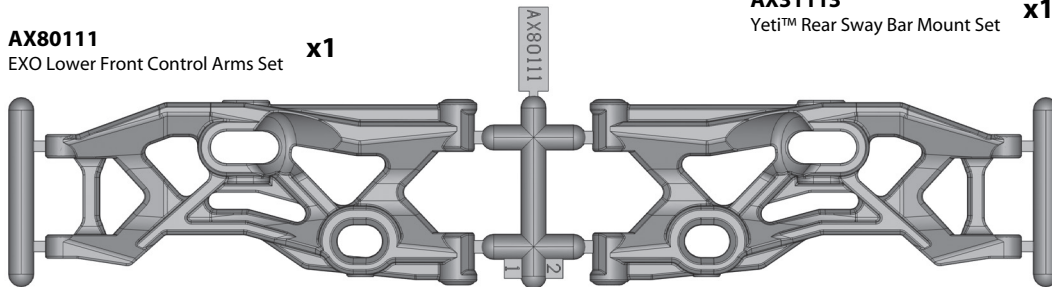


**AX31104**  
Yeti™ Chassis Components

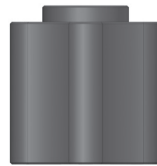
**x1**

**AX80111**  
EXO Lower Front Control Arms Set

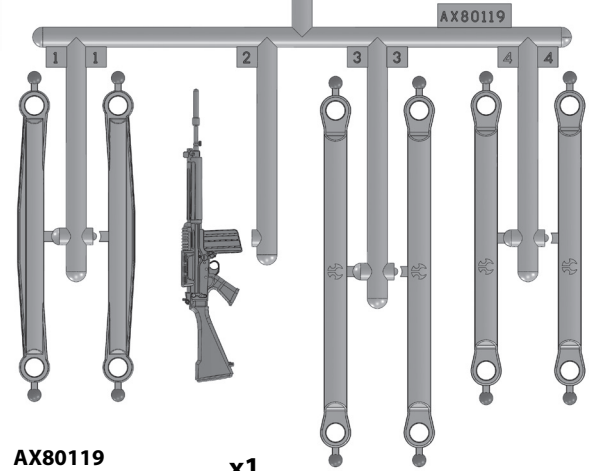
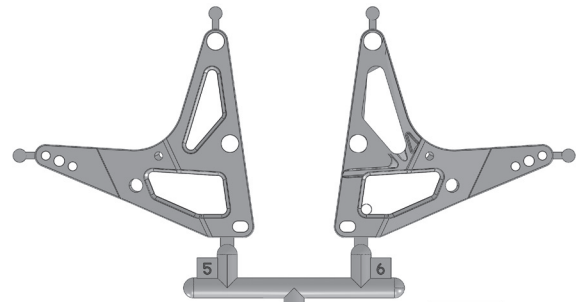
**x1**



**AX31266**  
IFD Hex Hub Adapter

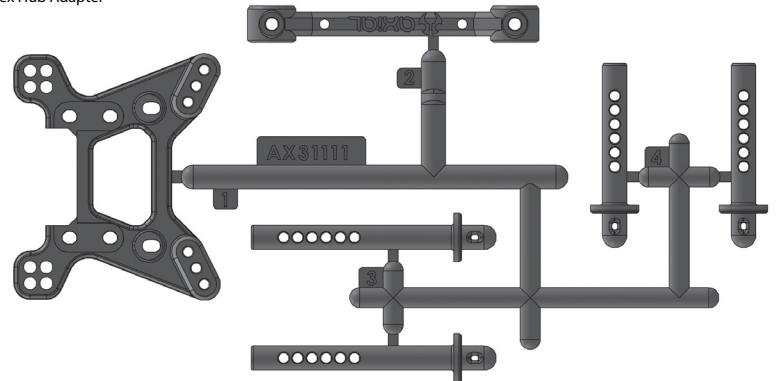


**AX31266**  
IFD Hex Hub Adapter



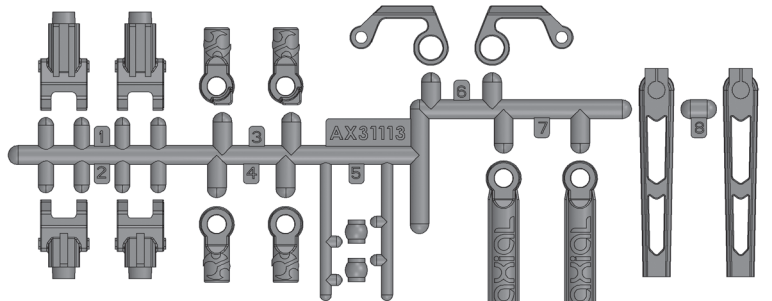
**AX80119**  
EXO RTR Links Parts Tree

**x1**



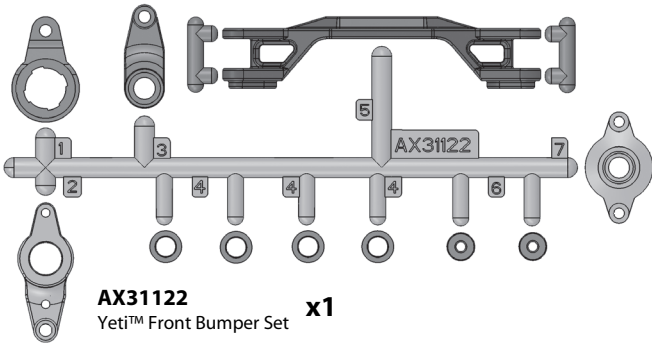
**AX31111**  
Yeti™ Shock Tower and Body Post Set

**x1**

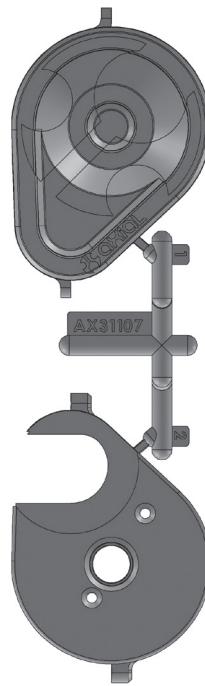


**AX31113**  
Yeti™ Rear Sway Bar Mount Set

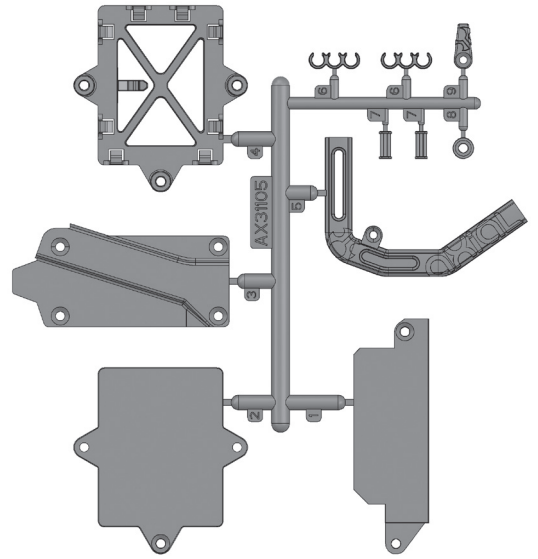
**x1**



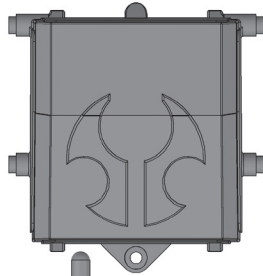
**AX31122**  
Yeti™ Front Bumper Set **x1**



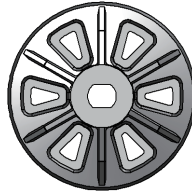
**AX31107**  
2-Speed Hi/Lo Transmission Spur Gear Cover **x1**



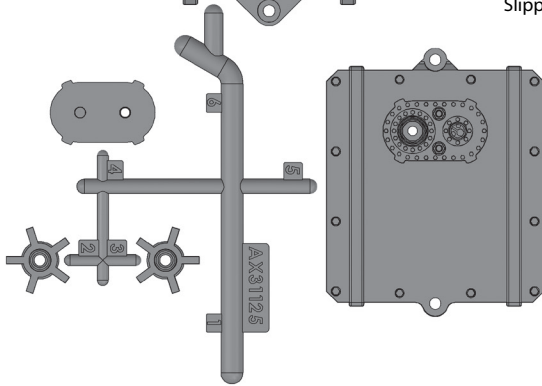
**AX31105**  
Yeti™ Chassis Electronic Components **x1**



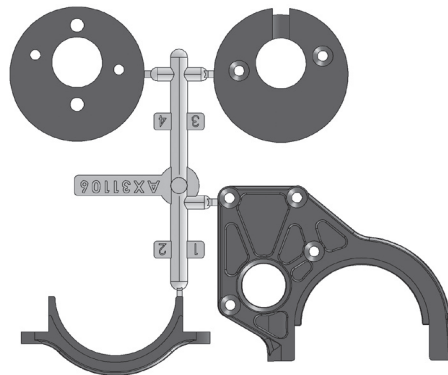
**AX31067**  
Slipper Plate **x1**



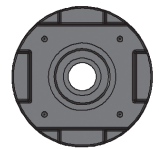
**AX31309**  
2.2 3.0 Method 105 Wheels - 41mm **x4**



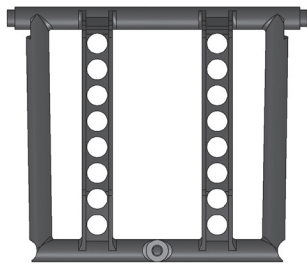
**AX31125**  
Yeti™ Fuel Cell **x1**



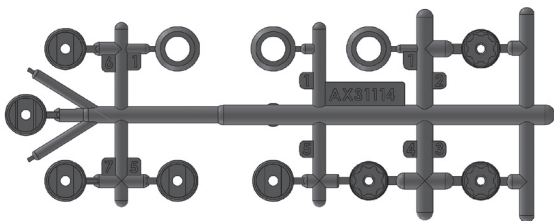
**AX31106**  
2-Speed Hi/Lo Transmission Motor Mount **x1**



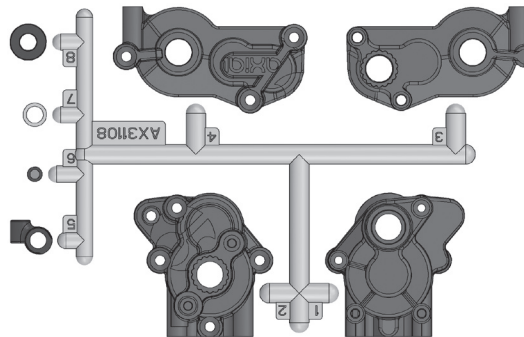
**AX80002**  
Diff Case - Small **x2**



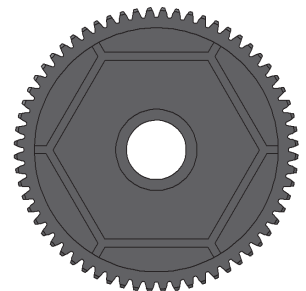
**AX31059**  
Slipper Plate **x2**



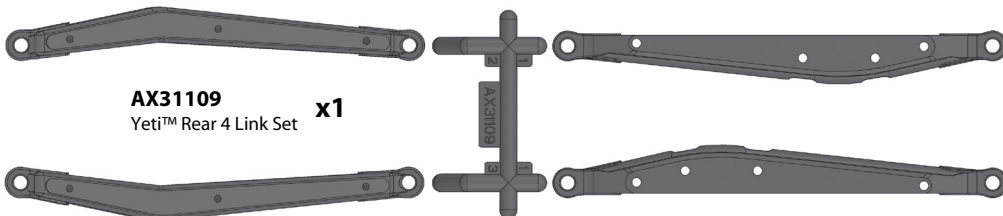
**AX31114**  
WB8-HD Driveshaft **x1**



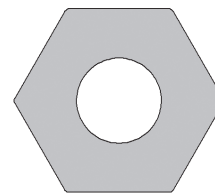
**AX31108**  
2-Speed Hi/Lo Transmission Case **x1**



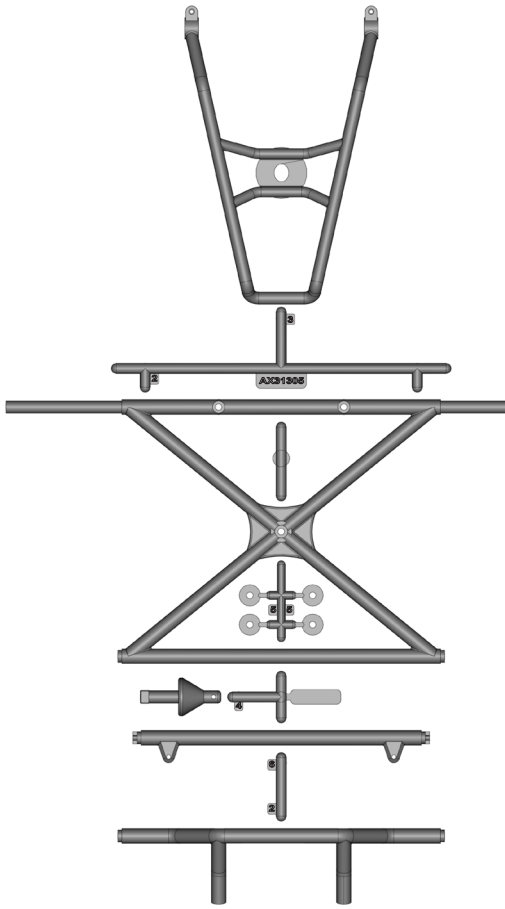
**AX31065**  
Spur Gear 32P 64T **x1**



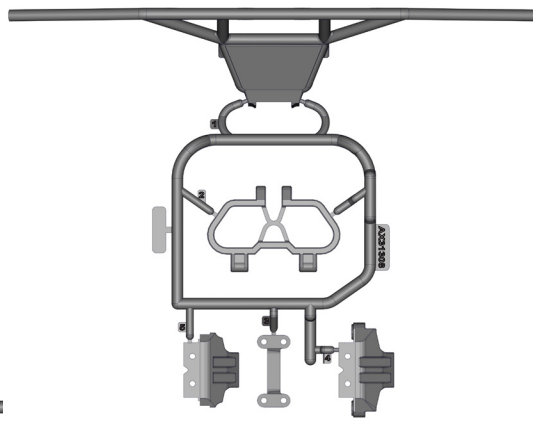
**AX31109**  
Yeti™ Rear 4 Link Set **x1**



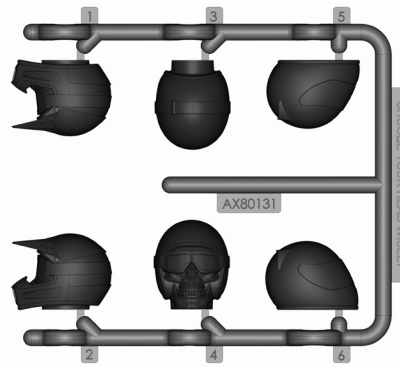
**AX31068**  
Slipper Pad  
32.8x15.2x1mm (2pcs) **x2**



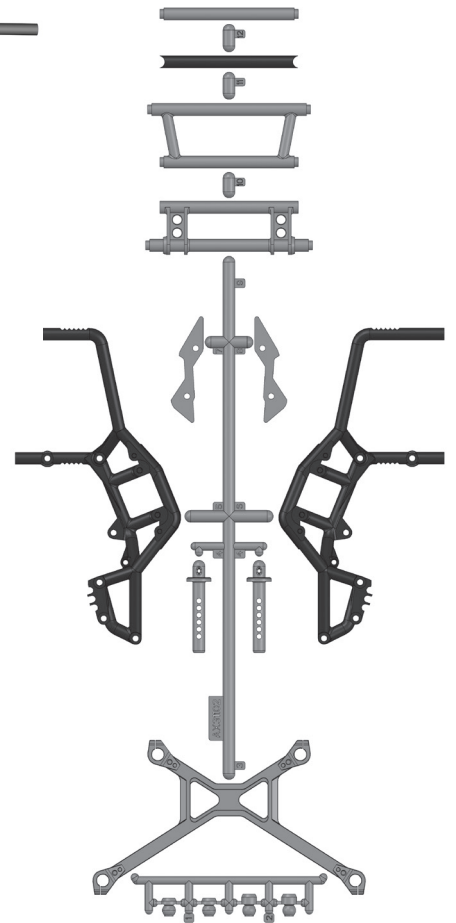
**AX31305**  
TT-380 Rear Lower Cage and  
Tire Retainer **x1**



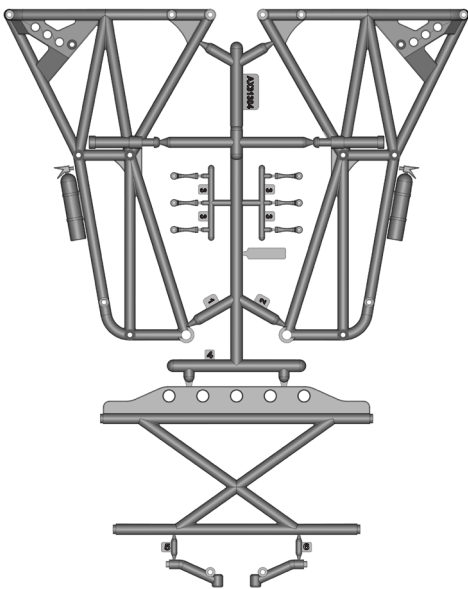
**AX31308**  
TT-380 Front Bumper and Toe Block **x1**



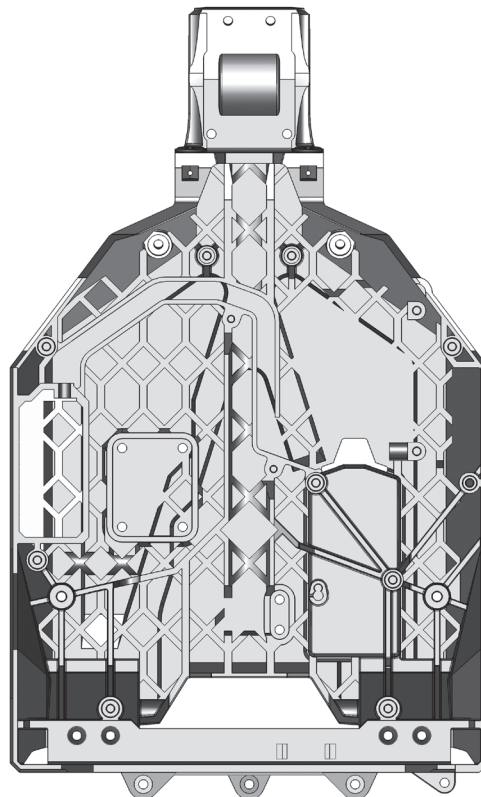
**AX31049**  
Helmet Set (Black) **x2**



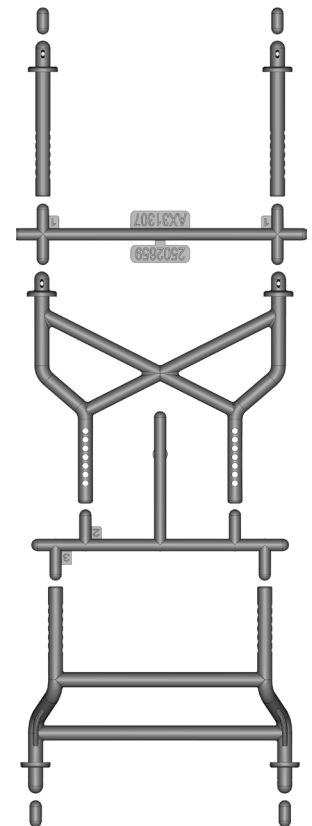
**AX31102**  
Yeti™ Rear Cage Components **x1**



**AX31304**  
TT-380 Rear Cage Sides and  
Rear Upper Cage **x1**

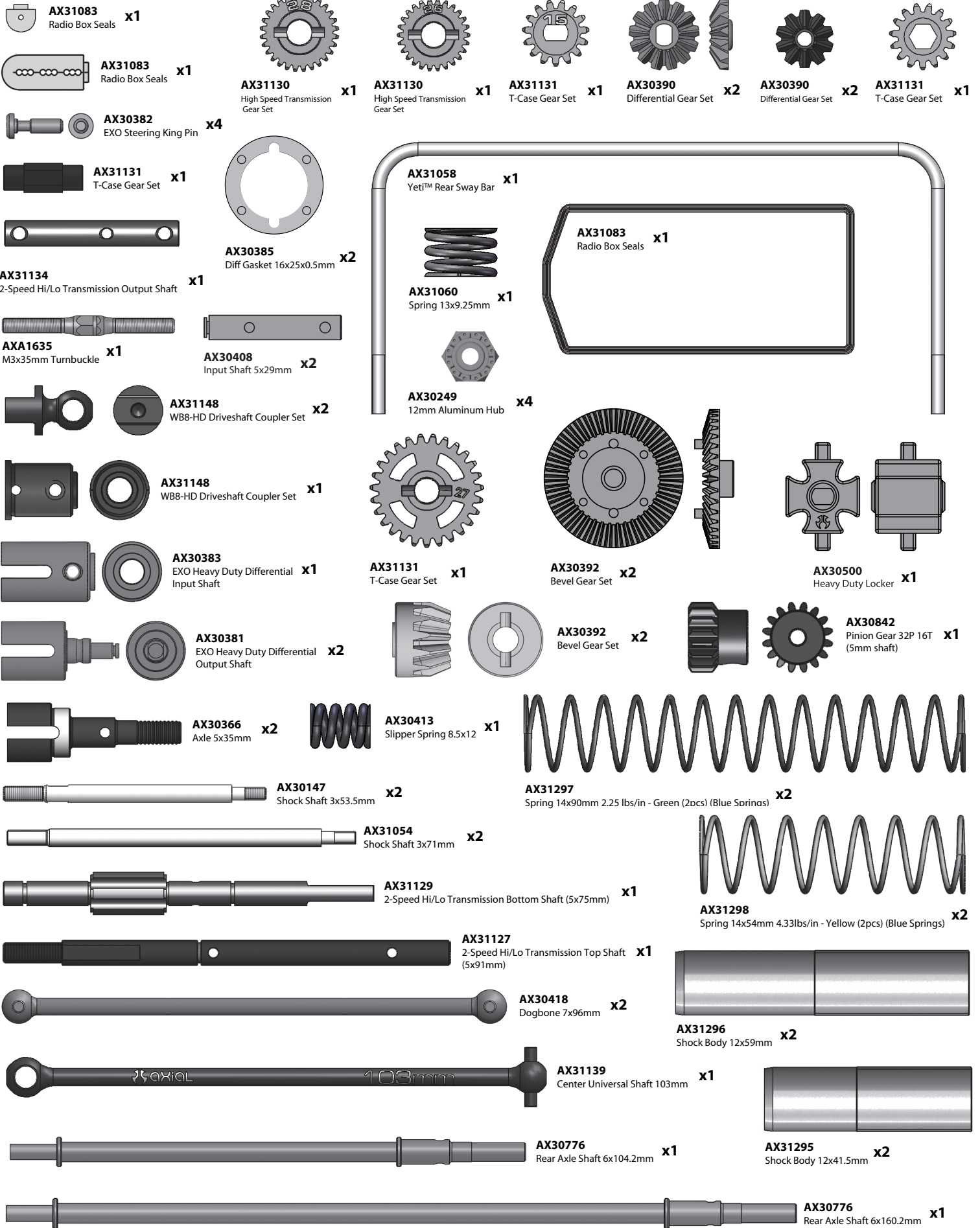































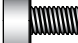

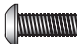

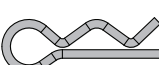






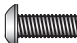


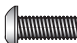











**AX31103**  
Yeti™ Molded Chassis Tub **x1**



**AX31307**  
TT-380 Body Post Set **x1**

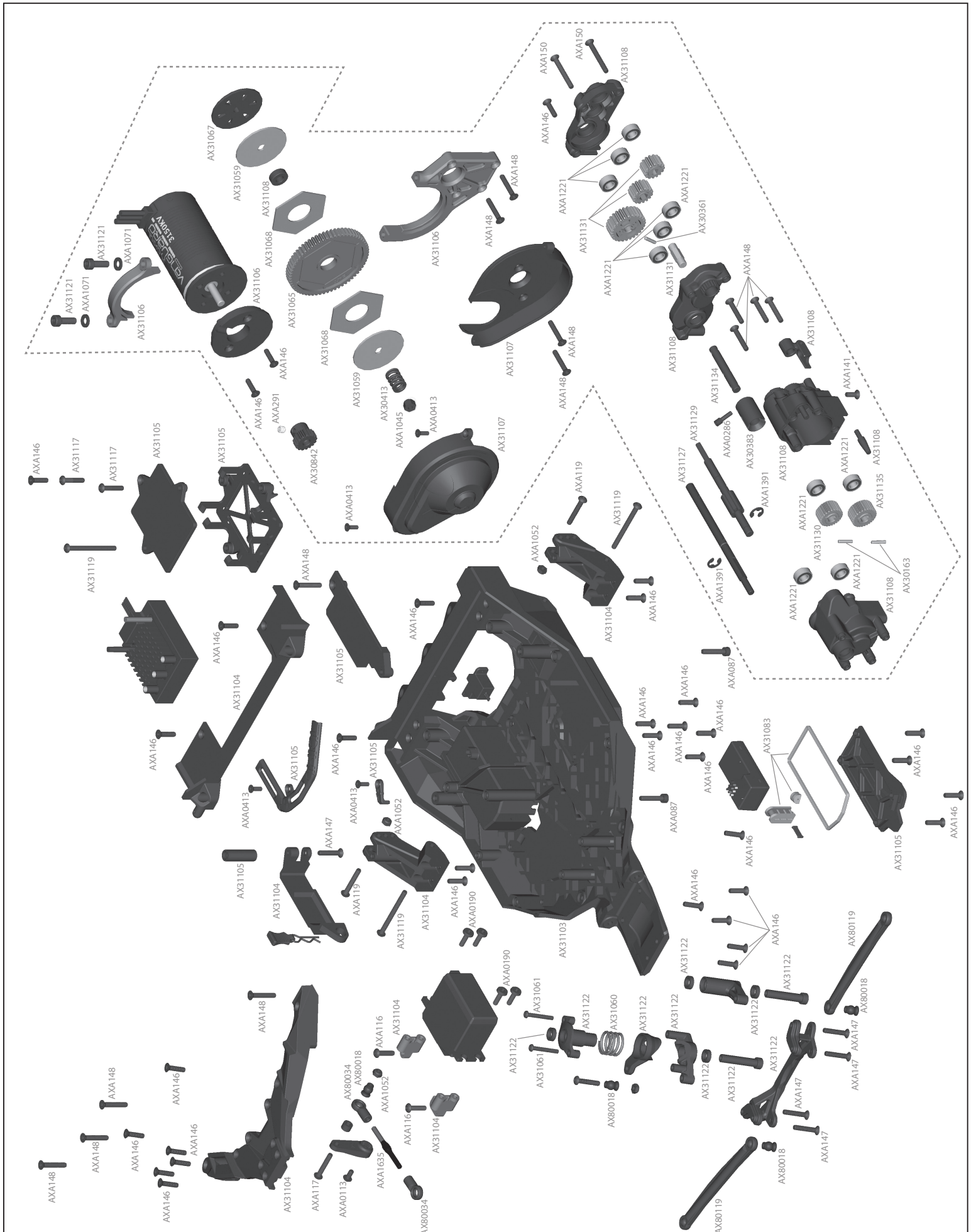




 <b>AX31148</b> 4.5x6.5mm Joint Pin	<b>x4</b>	 <b>AXA1041</b> M2.5 Nylon Locking Hex Nut	<b>x4</b>	 <b>AXA144</b> M3x8mm	<b>x4</b>
 <b>AXA1184</b> O-Ring 7.5x1.5mm	<b>x4</b>	 <b>AXA1052</b> M3 Thin Nylon Locking Hex Nut	<b>x16</b>	 <b>AXA146</b> M3x12mm	<b>x39</b>
 <b>AXA1202</b> O-Ring 3.5x2mm	<b>x8</b>	 <b>AXA1053</b> M3 Nylon Locking Hex Nut	<b>x7</b>	 <b>AXA0147</b> M3x16mm	<b>x9</b>
 <b>AXA1162</b> O-Ring 5x1mm	<b>x4</b>	 <b>AXA1045</b> M4 Nylon Lock Nut	<b>x1</b>	 <b>AXA148</b> M3x18mm	<b>x13</b>
 <b>AX30113</b> Rubber Bump Stop 3.6x7x4	<b>x6</b>	 <b>AXA1046</b> M4 Serrated Nylon Lock Nut	<b>x4</b>	 <b>AXA150</b> M3x25mm	<b>x2</b>
 <b>AX30112</b> Shock Diaphragm 13x4.5mm	<b>x4</b>	 <b>AXA180</b> M3x3mm Set Screw (Black)	<b>x3</b>	 <b>AXA015</b> M2x10mm	<b>x10</b>
 <b>AXA1069</b> Washer 2.7x6.7x0.5 mm	<b>x8</b>	 <b>AXA0181</b> M3x4mm Set Screw	<b>x8</b>	 <b>AXA0023</b> M2.6x8mm	<b>x24</b>
 <b>AXA1071</b> Washer 4x8x0.5mm	<b>x2</b>	 <b>AXA291</b> M4x4mm Set Screw (Black)	<b>x1</b>	 <b>AXA087</b> M3x16mm	<b>x6</b>
 <b>AX30163</b> Pin 2x10mm	<b>x5</b>	 <b>AXA0113</b> M3x6mm	<b>x5</b>	 <b>AXA091</b> M3x30mm	<b>x1</b>
 <b>AX31028</b> Pin 2x11mm	<b>x9</b>	 <b>AXA114</b> M3x8mm	<b>x4</b>	 <b>AX31121</b> M4x12mm	<b>x6</b>
 <b>AX30170</b> M3x22mm	<b>x1</b>	 <b>AXA115</b> M3x10mm	<b>x4</b>	 <b>AXA0412</b> M2.6x6mm	<b>x3</b>
 <b>AXA1059</b> 6mm Body Clip	<b>x6</b>	 <b>AXA116</b> M3x12mm	<b>x8</b>	 <b>AXA0109</b> M3x10mm Oversized Flat Hex Socket	<b>x4</b>
 <b>AXA1393</b> E2.5 e-clip	<b>x4</b>	 <b>AXA117</b> M3x15mm	<b>x11</b>	 <b>AXA0413</b> M2.6x8mm	<b>x3</b>
 <b>AXA1391</b> E4 e-clip	<b>x2</b>	 <b>AXA118</b> M3x18mm	<b>x33</b>	 <b>AXA464</b> M3x8mm	<b>x4</b>
 <b>AXA1221</b> Bearing 5x11x4mm	<b>x18</b>	 <b>AXA119</b> M3x20mm	<b>x4</b>	 <b>AX31061</b> M2.6x18mm	<b>x2</b>
 <b>AXA1230</b> Bearing 10x15x4mm	<b>x6</b>	 <b>AXA121</b> M3x30mm	<b>x2</b>	 <b>AXA0422</b> M2.6x6mm	<b>x14</b>
		 <b>AX31119</b> M3x35mm	<b>x3</b>	 <b>AXA435</b> M3x10mm	<b>x26</b>
		 <b>AXA0125</b> M3x35mm Hex Socket Button Head Screw Shaft	<b>x2</b>	 <b>AXA436</b> M3x12mm	<b>x7</b>
		 <b>AXA0128</b> M3x61mm Hex Socket Button Head Screw Shaft	<b>x2</b>	 <b>AXA0437</b> M3x15mm	<b>x12</b>
				 <b>AXA0286</b> M4x12mm	<b>x6</b>











## Parts List

Part #	Description	Part #	Description
AX24260	AE-3 Vanguard ESC	AX80002	Diff Case -Small
AX30112	Shock Diaphragm 13x4.5mm (6pcs)	AX80006	Servo Set
AX30113	Rubber Bump Stop 3.6x7x4 (6pcs)	AX80018	Hardware Parts Tree
AX30147	Shock Shaft 3x53.5mm (2pcs)	AX80033	10mm Shock Parts Tree 1
AX30163	Pin 2.0x10mm (6pcs.)	AX80069	AR60 OCP Axle Housing
AX30170	Shaft 3 x 22 (2pcs)	AX80070	AR60 OCP Differential Cover
AX30366	Axle 5x35mm (2pcs.)	AX80071	AR60 OCP Straight Axle Adapter
AX30381	EXO Heavy Duty Differential Output Shaft (2pcs)	AX80072	AR60 OCP 4-Link Mount
AX30382	EXO Steering King Pin (TIN Coated) (2pcs)	AX80091	EXO Bulkhead
AX30383	EXO Heavy Duty Differential Input Shaft (2pcs)	AX80106	EXO Steering Knuckle Carrier Set
AX30385	Diff Gasket 16x25x0.5mm (2pcs)	AX80111	EXO Lower Front Control Arms Set
AX30390	Differential Gear Set	AX80119	EXO RTR Links Parts Tree
AX30392	Bevel Gear Set (38/13)	AXA0109	M3x10mm Oversized Flat Hex Socket (Black) (10pcs)
AX30408	Input Shaft 5x29mm (2pcs)	AXA0113	M3x6mm Hex Socket Button Head (Black) (10pcs)
AX30413	Slipper spring 8.5x12 165 lbs/in - Black (2pcs)	AXA0125	M3x35mm Hex Socket Button Head Screw Shaft (Black) (6pcs)
AX30418	Dogbone Set 7x96mm (2pcs)	AXA0128	M3x61mm Hex Socket Button Head Screw Shaft (Black) (6pcs)
AX30429	12mm Aluminum Hub (Black) (4pcs)	AXA0147	M3x16mm Hex Socket Flat Head (Black) (10pcs)
AX30500	Heavy Duty Locker (2pcs)	AXA015	M2x10mm Cap Head (Black) (10pcs)
AX30776	AR60 OCP Rear Axle Set (2pcs)	AXA0181	M3x4mm Set Screw (Black) (10pcs)
AX30842	Pinion Gear 32P 16T (5mm shaft)	AXA0286	Screw Shaft M4x2.5x12mm (6pcs)
AX31028	Pin 2.0x11mm (6pcs)	AXA0413	M2.6x8mm Hex Socket Tapping Flat Head (Black) (10pcs)
AX31047	Brushless 3150KV Electric Motor	AXA0414	M2.6x10mm Hex Socket Tapping Flat Head (Black) (10pcs)
AX31049	Helmet Set (Black)	AXA0422	M2.6x6mm Hex Socket Tapping Button Head (Black) (10pcs)
AX31054	Shock Shaft 3x71mm (2pcs)	AXA0423	M2.6x8mm Hex Socket Tapping Button Head (Black) (10pcs)
AX31058	Yeti™ Rear Sway Bar (3pcs) (Soft, Medium, Firm)	AXA0437	M3x15mm Hex Socket Tapping Button Head (Black) (10pcs)
AX31059	Slipper Plate Washer 33x11mm (2pcs)	AXA0439	M3x20mm Hex Socket Tapping Button Head (Black) (10pcs)
AX31060	Servo Saver Spring 13x9.25mm 104 lbs/in (2pcs)	AXA0467	M3x16mm Hex Socket Tapping Flat Head (Black) (10pcs)
AX31061	M2.6x18mm Hex Socket Tapping Button Head (Black) (10pcs)	AXA086	M3x12mm Cap Head (Black) (10 pcs)
AX31065	Spur Gear 32P 64T	AXA087	M3x16mm Cap Head (Black) (10pcs)
AX31067	Slipper Plate (2pcs)	AXA091	M3x30mm Cap Head - Black (10pcs)
AX31068	Slipper Pad 32.8x15.2x1mm (2pcs)	AXA1041	M2.5 Nylon Locking Hex Nut - Silver (10pcs)
AX31083	Radio Box Seals	AXA1045	M4 Nylon Lock Nut (Black) (10pcs)
AX31102	Yeti™ Rear Cage Components	AXA1052	M3 Thin Nylon Locking Hex Nut (Black)
AX31103	Yeti™ Molded Chassis Tub	AXA1053	M3 Nylon Locking Hex Nut (Black) (10pcs)
AX31104	Yeti™ Chassis Components	AXA1059	6mm Body clip (Black) (10pcs)
AX31105	Yeti™ Chassis Electronic Components	AXA1069	Washer 2.7x6.7x0.5 (10pcs)
AX31106	2-Speed Hi/Lo Transmission Motor Mount	AXA1071	Washer 4x8x0.5mm (10pcs)
AX31107	2-Speed Hi/Lo Transmission Spur Gear Cover	AXA114	M3x8mm Hex Socket Button Head (Black) (10pcs)
AX31108	2-Speed Hi/Lo Transmission Case	AXA115	M3x10mm Hex Socket Button Head (Black) (10pcs)
AX31109	Yeti™ Rear 4 Link Set	AXA116	M3x12mm Hex Socket Button Head - Black (10pcs)
AX31110	Yeti™ Steering Knuckle Set	AXA1162	O-Ring 5x1mm (10pcs)
AX31111	Yeti™ Shock Tower and Body Post Set	AXA117	M3x15mm Hex Socket Button Head (Black) (10pcs)
AX31113	Yeti™ Rear Sway Bar Mount Set	AXA118	M3x18mm Hex Socket Button Head - Black (10pcs)
AX31114	WB8-HD Driveshaft	AXA1184	O-Ring 7.5x1.5mm (S8) - (10pcs)
AX31119	M3x35mm Hex Socket Button Head (Black) (10pcs)	AXA119	M3x20mm Hex Socket Button Head (Black) (10pcs)
AX31122	Double Shear Steering Rack	AXA1202	O-Ring 3.5x2mm (10pcs)
AX31125	Yeti™ Fuel Cell	AXA121	M3x30mm Hex Socket Button Head (Black) (10pcs)
AX31127	2-Speed Hi/Lo Transmission Top Shaft (5x91mm)	AXA1221	Bearing 5x11x4mm (2pcs)
AX31129	2-Speed Hi/Lo Transmission Bottom Shaft (5x75mm)	AXA1230	Bearing 10x15x4mm
AX31130	High Speed Transmission Gear Set (48P 26T, 48P 28T)	AXA1391	E4 e-clip (10pcs)
AX31131	T-Case Gear Set (32P 15T, 32P 15T, 32P 27T)	AXA1393	E2.5 e-clip (10pcs)
AX31134	2-Speed Hi/Lo Transmission Output Shaft (5x35mm)	AXA144	M3x8mm Hex Socket Flat Head (Black) (10pcs)
AX31139	Center Driveline Universal Shaft (103mm)	AXA146	M3x12mm Hex Socket Flat Head - Black (10pcs)
AX31148	WB8-HD Driveshaft Coupler Set	AXA148	M3x18mm Hex Socket Flat Head (Black) (10pcs)
AX31250	M4 Serrated Nylon Lock Nut (Black) (10pcs)	AXA150	M3x25mm Hex Socket Flat Head (Black) (10pcs)
AX31266	IFD™ Hex Hub Adapter (2pcs Narrow, 2pcs Wide)	AXA1635	M3x35mm Turnbuckle (2pcs)
AX31294	2.2 3.0 BFGoodrich Baja T/A KR2 Tires 42mm - R35 Compound (2pcs)	AXA180	M3x3mm Set Screw (Black) (10pcs)
AX31295	Aluminum Shock Body 12x41.5mm (Clear Anodized) (2pcs)	AXA291	M4x4mm Set Screw (Black) (6pcs.)
AX31296	Aluminum Shock Body 12x59mm (Clear Anodized) (2pcs)	AXA433	M3x6mm Hex Socket Tapping Button Head - Black (10pcs)
AX31297	Spring 14x90mm 2.25 lbs/in - Green (2pcs) (Blue Springs)	AXA434	M3x8mm Hex Socket Tapping Button Head (Black) (10pcs)
AX31298	Spring 14x54mm 4.33lbs/in - Yellow (2pcs) (Blue Springs)	AXA435	M3x10mm Hex Socket Tapping Button Head (Black) (10pcs)
AX31300	10mm Shock Parts Tree 2 (Blue)	AXA436	M3x12mm Hex Socket Tapping Button Head (Black) (10pcs)
AX31301	10mm Shock Caps Parts Tree (Blue)		
AX31302	TT-380 SCORE® Trophy Truck® Body - .040" (Clear)		
AX31303	TT-380 Interior Set - .040" (Clear)		
AX31304	TT-380 Rear Cage Sides and Rear Upper Cage		
AX31305	TT-380 Rear Lower Cage and Tire Retainer		
AX31306	TT-380 SCORE® Trophy Truck® Grille and Cage Components		
AX31307	TT-380 Body Post Set		
AX31308	TT-380 Front Bumper and Toe Block		
AX31309	2.2 3.0 Method 105 Wheels - 41mm (Black) (2pcs)		



## Option Parts

Part #	Description	Part #	Description
AX08101	2.2 3.0 Raceline Renegade Wheels - 41mm (Black) (2pcs)	AX31173	Icon 93-137mm Aluminum Shock Damper Set - 10mm Piston (2pcs)
AX08103	2.2 3.0 Raceline Renegade Wheels - 41mm (Chrome/Black) (2pcs)	AX31174	Y-380 1/10th Scale Body - .040" (Pre-Painted) (White, Blue, Pink)
AX08104	2.2 3.0 Raceline Renegade Wheels - 34mm (Black) (2pcs)	AX31182	Front Differential Locker
AX08106	2.2 3.0 Raceline Renegade Wheels - 34mm (Chrome/Black) (2pcs)	AX31188	Icon Aluminum Shock Body 12x47.5mm (2pcs)
AX12017	2.2 3.0 Hankook Dynapro Mud Terrain Tires 34mm - R35 Compound (2pcs)	AX31190	Icon Aluminum Shock Body 12x65mm (2pcs)
AX12018	2.2 3.0 Hankook Dynapro Mud Terrain Tires 41mm - R35 Compound (2pcs)	AX31193	Shock Shaft 3x77mm (2pcs)
AX24010	Brushless 2900KV Electric Motor	AX31244	Upper Link Plate Set (Aluminum) (4pcs)
AX24251	Axial NVS - Night Visions System	AX31266	IFD™ Hex Hub Adapter (2pcs Narrow, 2pcs Wide)
AX24252	Axial Double LED Light String (White LED)	AX31249	Yeti™ Turnbuckle Set (Aluminum) (4pcs)
AX24253	Axial Double LED Light String (Red LED)	AX31272	M4x55mm Turnbuckle (Steel) (2pcs)
AX24254	Axial Double LED Light String (Orange LED)	AX31273	M4x60mm steel turnbuckle
AX24255	Axial Single LED Light String (White LED)	AX31310	TT-380 SCORE® Retro Trophy Truck® Body - .040" (Clear)
AX24256	Axial 5 LED Light String (White LED)	AX31311	TT-380 SCORE® Retro Trophy Truck® Grille and Cage Components
AX24257	Simple LED Controller w/LED lights (4 white and 2 Red)	AX31325	2.2 BFGoodrich Baja T/A KR2 Tires - R35 Compound (2pcs)
AX24258	4 LED Light String (White LED)	AX31326	2.2 Walker Evans Wheels - Black (2pcs)
AX30091	67-90mm Shock Set - 10mm Piston (2pcs)	AX80085	Universal Mount 5 Bucket Light Bar (Black)
AX30092	Axial 72-103mm Shock Set - 10mm Piston (2pcs)	AX80086	Light Bar Lenses (Clear) (5pcs)
AX30110	Axial Aluminum 13mm Aluminum Preload Collar (2pcs)	AX80131	Helmet Set
AX30111	Axial Aluminum Shock Cap (2pcs)	AXA1076	Cap Head Washer M3x10mm (4pcs)
AX30120	Axial Aluminum Shock Body 12x47.5mm (2pcs)	AXA1101	Cone Washer 3x6.9x2mm (6pcs)
AX30155	Shock Shaft 3x59.5 (2pcs)	AXA1104	Cone Washer 3x6.9x2mm - Orange (6pcs)
AX30213	Spring 14x90mm 1.32 lbs/in - (Red)	AXA1105	Cone Washer 3x6.9x2mm - Grey (6pcs)
AX30214	Spring 14x90mm 1.71 lbs/in - (White)	AXA1331	Flanged Ball 3x5.8x7mm (6pcs)
AX30215	Spring 14x90mm 2.25 lbs/in - Medium (Green)	AXA1412	0.5x6mm Spacer - Grey (6pcs)
AX30216	Spring 14x90mm 2.78 lbs/in - Firm (Yellow)	AXA1413	1x6mm Spacer - Grey (6pcs)
AX30217	Spring 14x90mm 3.01 lbs/in - Super Firm (Blue)	AXA1414	2x6mm Spacer - Grey (6pcs)
AX30226	Spring 14x54mm 2.64 lbs/in - Super Soft (Red) - (2pcs)	AXA1415	3x6mm Spacer - Grey (6pcs)
AX30227	Spring 14x54mm 3.4 lbs/in - Soft (White) - (2pcs)	AXA1416	4x6mm Spacer - Grey (6pcs)
AX30228	Spring 14x54mm 3.85 lbs/in - Medium (Green) - (2pcs)	AXA1417	5x6mm Spacer - Grey (6pcs)
AX30230	Spring 14x54mm 4.95 lbs/in - Super Firm (Blue) - (2pcs)	AXA1418	6x6mm Spacer - Grey (6pcs)
AX30401	Heavy Duty Bevel Gear Set - 36T/14T	AXA1419	7x10mm Post - Grey (2pcs)
AX30402	Heavy Duty Bevel Gear Set - 43T/13T	AXA1420	7x15mm Post - Grey (2pcs)
AX30709	Universal 5 Bucket Light Bar Set	AXA1421	7x20mm Post - Grey (2pcs)
AX30741	Spur Gear 32P 48T	AXA1422	7x25mm Post - Grey (2pcs)
AX30742	Spur Gear 32P 50T	AXA1423	7x30mm Post - Grey (2pcs)
AX30743	Spur Gear 32P 52T	AXA1424	7x35mm Post - Grey (2pcs)
AX30744	Spur Gear 32P 54T	AXA1425	7x40mm Post - Grey (2pcs)
AX30789	AR60 OCP Aluminum Straight Axle Hub Carrier (2pcs)	AXA1426	7x45mm Post - Grey (2pcs)
AX30811	EXO™ Machined Aluminum Front Toe Block F1 (Hard Anodized)	AXA1427	7x50mm Post - Grey (2pcs)
AX30829	AR60 OCP Machined Low-Profile Differential Cover	AXA1428	7x55mm Post - Grey (2pcs)
AX30830	Axial AR60 OCP Machined Link Mounts	AXA1429	7x60mm Post - Grey (2pcs)
AX30831	AR60 OCP™ Front Axle Set (Complete)	AXA1430	7x65mm Post - Grey (2pcs)
AX30834	Aluminum Servo Horn 23T	AXA1431	7x70mm Post - Grey (2pcs)
AX30835	Aluminum Servo Horn 24T		
AX30836	Aluminum Servo Horn 25T		
AX30837	Pinion Gear 32P 11T (5mm shaft)		
AX30838	Pinion Gear 32P 12T (5mm shaft)		
AX30839	Pinion Gear 32P 13T (5mm shaft)		
AX30840	Pinion Gear 32P 14T (5mm shaft)		
AX30841	Pinion Gear 32P 15T (5mm shaft)		
AX30843	Pinion Gear 32P 17T (5mm shaft)		
AX31074	IFD™ Hex Hub Conversion Set (12mm) (4pcs)		
AX31097	3 Port High Output LED Controller		
AX31098	8 LED Light String (White LED)		
AX31136	Icon 87-125mm Aluminum Shock Set - 10mm Piston (2pcs)		
AX31152	Universal Rigid Light Bar Set		
AX31153	Spring 14x90mm 0.90 lbs/in - Black (2pcs)		
AX31154	Spring 14x90mm 1.01 lbs/in - Purple (2pcs)		
AX31156	Machined Adjustable Motor Mount (Hard Anodized)		
AX31160	Steel Spur Gear 32P 68T		
AX31161	Steel Spur Gear 32P 64T		
AX31162	Steel Spur Gear 32P 60T		
AX31163	Steel Spur Gear 32P 56T		
AX31164	Machined Slipper Plate (Hard Anodized) (2pcs)		
AX31165	Machined 4 Link Mounts (Hard Anodized) (2pcs)		
AX31166	Machined Shock Mount Plates (Hard Anodized) (2pcs)		
AX31167	Machined Sway Bar Clamp (Hard Anodized) (2pcs)		
AX31169	Machined Body Post Mount (Hard Anodized)		
AX31170	Machined Front Shock Tower (Hard Anodized)		
AX31171	Icon 72-103mm Aluminum Shock Set - 10mm Piston (2pcs)		
AX31172	Icon 67-90mm Aluminum Shock Set - 10mm Piston (2pcs)		

# DON'T SETTLE FOR *NORMAL BEHAVIOR*

©2013 Axial R/C, Inc. A subsidiary of Hobbico, Inc. All Rights Reserved.



**READY TO RUN**

**AX10™ DEADBOLT™ 1/10th SCALE  
ELECTRIC 4WD #AX90033**

OFFICIALLY LICENSED TECHNICAL PARTNERS:



 **axial**®

[www.axialracing.com](http://www.axialracing.com)

# SCX10

## THE OFFICIAL TRUCK OF THE R.E.C.O.N. G6 CHALLENGE™



**DO WORK DRIVER™**



AWCC 2011



### SCX10™ FEATURES:

- > SCALE LOOKS WITH METAL TO MATCH!!!
- > TRUE STEEL C-CHANNEL FRAME
- > SOLID AXLE DESIGN WITH HARDENED STEEL INNER AXLES FRONT AND BACK
- > TRUE RING AND PINTON MECHANICAL DIFFERENTIALS
- > COIL OVER SHOCKS
- > STRONG 4X4 TRANSMISSION / TRANSFER CASE ALL-IN-ONE
- > FULL METAL BEARINGS IN AXLES AND TRANSMISSION - RUBBER SEALED FOR MAXIMUM PROTECTION

If you are looking for adventure, the RECON G6 Challenge™ is where it's at. RECON G6 Challenge™ events deliver excitement and push boundaries; always bringing the elements of what a real adventure should deliver - the unknown!

The coolest thing about participating in the G6 Challenge™ is that it is not about the podium, it's all about the finish. It's about the massive amount of drive time and persevering to survive the unknown-uncatched; and then sharing stories at the end of the day - "How in the heck did you clear TM-24 on the 100-course?" "Did you see that Bender-6X walk-it-!" "Did you get passed by the Swanson Swagger!?"

For adventure G6'ers, the rougher and less traveled, the better! It is the adventure of a lifetime for man and scale machine against the elements. The G6 is about battling the course with your comrades, work as an individual or help your fellow G6'ers to overcome the obstacles; survival is the name of the game!

In an adventure, chasing the unknown requires confidence. Confidence = reliability = SCX10™. The Axial SCX10™ - the official truck of the RECON G6 Challenge™!

Visit our blog and start the adventure!

### SCX10

#### THE SCX10™ MODEL RANGE:



**AX90021**  
DINGO™  
KIT (UNASSEMBLED)



**AX90022**  
TRAIL HONCHO™  
RTR (READY-TO-RUN)



**AX90027**  
JEEP WRANGLER  
UNLIMITED RUBICON  
KIT (UNASSEMBLED)



**AX90028**  
JEEP WRANGLER  
UNLIMITED RUBICON  
RTR (READY-TO-RUN)

© 2013 Axial R/C Inc. A subsidiary of Hobbico, Inc.  
Jeep and the Jeep grille are registered trademarks of Chrysler Group LLC and are used under license. ©2013 Chrysler Group LLC.



[www.axialracing.com](http://www.axialracing.com)

OFFICIALLY LICENSED TECHNICAL PARTNERS:



## EXPLORE

[facebook.com/axialinc](https://facebook.com/axialinc) | [twitter.com/axialrc](https://twitter.com/axialrc) | [youtube.com/axialvideos](https://youtube.com/axialvideos) | [flickr.com/axialrc](https://flickr.com/axialrc)



BFGoodrich® Tires and Baja T/A® KR2 Trademarks are used under License from Michelin

Trophy Truck and SCORE are registered trademarks of SCORE International and used under license.

AX90050-1001